



# Birlea

Suppliers of inspiration

## Assembly Instructions

---

Thank you for  
purchasing a  
Birlea product.

For a chance to win a *Love 2 Shop* voucher simply post a picture of your new product on your preferred social channels tagging Birlea Furniture and using the hashtag **#ShareYourStyle** and **#Birlea**. One winner will be selected at random each month.

To view our full terms and conditions please visit our website. [www.birlea.com](http://www.birlea.com)

---

### Are you happy with your purchase?

**Yes:** That's great, we would love to hear more from you. Please leave us a review on our social media channels or Trustpilot. Your feedback will be greatly appreciated.

**No:** If for any reason there is something missing, indifferent or incorrect with your order, please contact the retailer you purchased the item from. We will work with the retailer to resolve your issue as quickly as possible.



[www.birlea.com](http://www.birlea.com)

# ASSEMBLY INSTRUCTIONS

## WINCHESTER SMALL TV UNIT

**IMPORTANT: READ THESE INSTRUCTIONS CAREFULLY BEFORE ASSEMBLING OR USING YOUR WINCHESTER SMALL TV UNIT.**

**PLEASE KEEP THESE INSTRUCTIONS FOR FUTURE REFERENCE.**

### **HEALTH & SAFETY:**

DO NOT use this item if any parts are missing, damage or worn.

DO NOT use this item unless all fixings are secured.

Please keep small parts out of reach of children. Always use on a level, even surface.

It is recommended that two people handle and assemble the item.

### **CARE & MAINTENANCE:**

Assemble in the room of use.

To avoid damages assemble the item on a soft, clean surface. Periodically check all screws & fixings to ensure they are secure. DO NOT push the item as this will damage the base.

Always lift the item with two people to reposition. Keep any sharp objects away from the item.

This product is manufactured in pine which is a wood with natural characteristics including knots, grains, clusters or indentations.

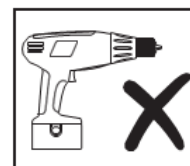
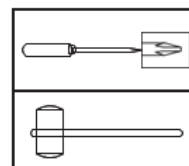
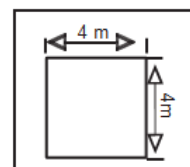
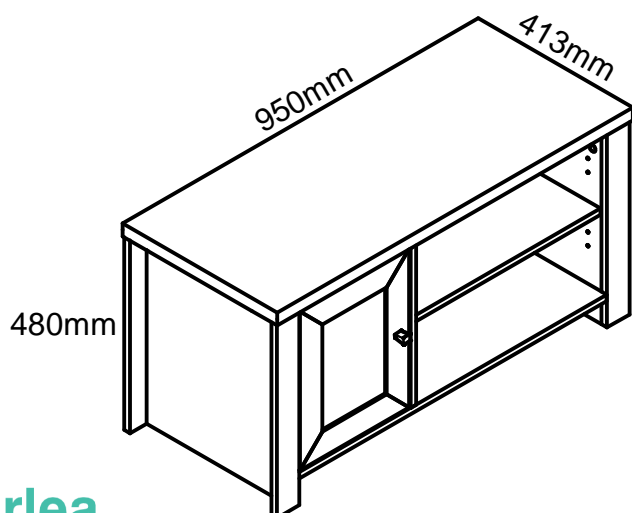
On unpacking the item you may notice an odour due to production processes but this will disappear after a period of time.

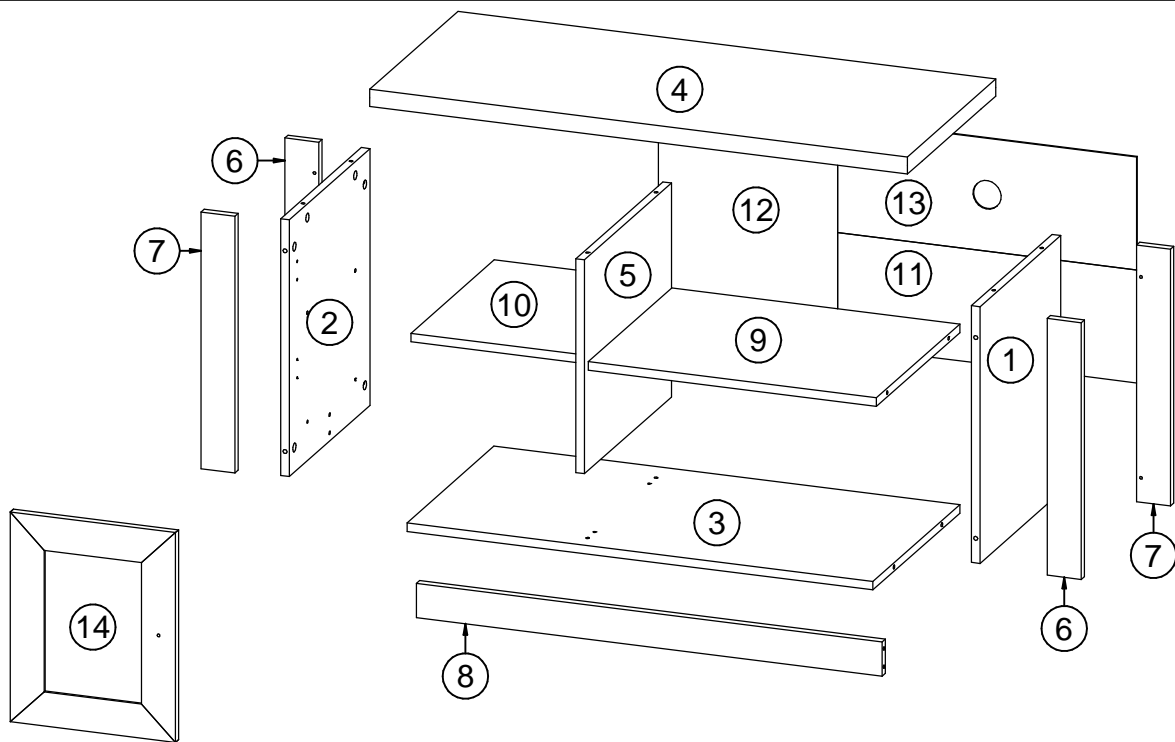
DO NOT place the item next to a radiator or direct sunlight – this item is susceptible to temperature change. It is recommended an even room temperature be maintained with no sudden fluctuations.

DO NOT place hot or cold items directly onto the surface of the item as marking will occur

For general cleaning use a duster or damp cloth (almost dry) not wet - do not use soap and water, detergents, aerosol sprays or any polish as use of these would invalidate any claims.

DO NOT place the item onto wet or damp flooring as staining may occur to the floor.

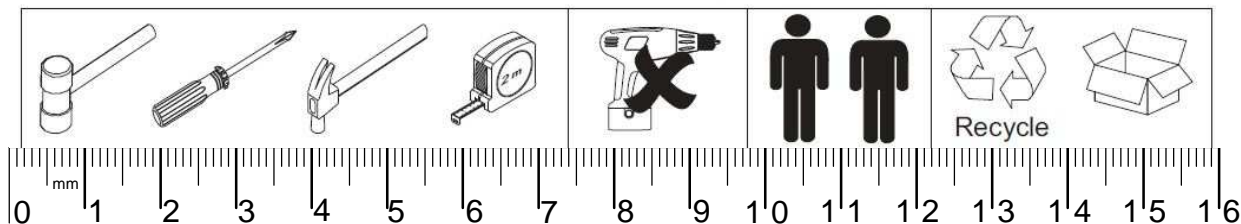




Parts List		
Part	Item	Qty
1	Right Side	1
2	Left Side	1
3	Base	1
4	Top	1
5	Left Division	1
6	Right Column	2
7	Left Column	2
8	Baseboard	1
9	Shelf	1
10	Smaller Shelf	1
11	Bottom Back	1
12	Side Back	1
13	Upper Back	1
14	Door	1

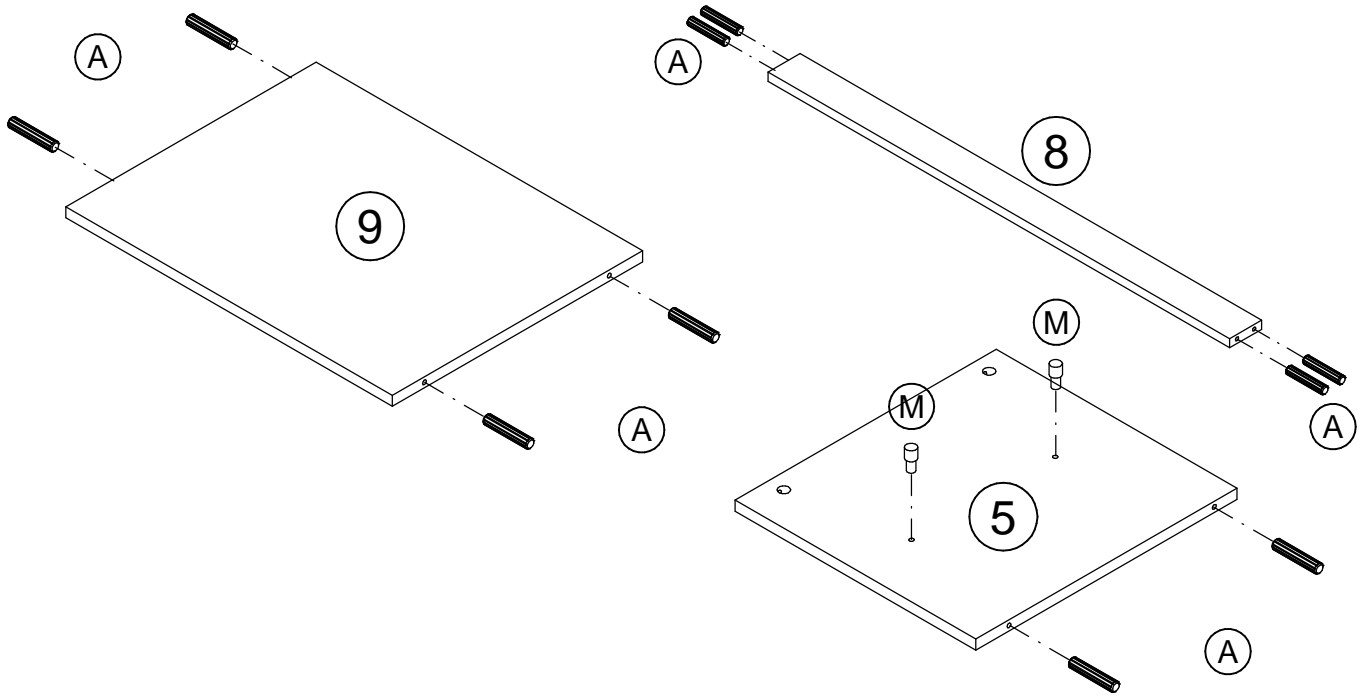
Hardware List			
Part	Item		Qty
A	Wooden Dowel		10
B	Cam Bolt		18
C	Cam Lock		18
D	Tack		40
E	Slip Shoe		5
F	40mm Screw		2
G	14mm Screw		8
H	Sticker		6
I	Handle		1
J	Back Fixer		6
K	25mm Screw		2
L	Hinge		2
M	Shelf Support		4
N	Silicone Stop		1

\*\* You will need a small mallet and a screwdriver.



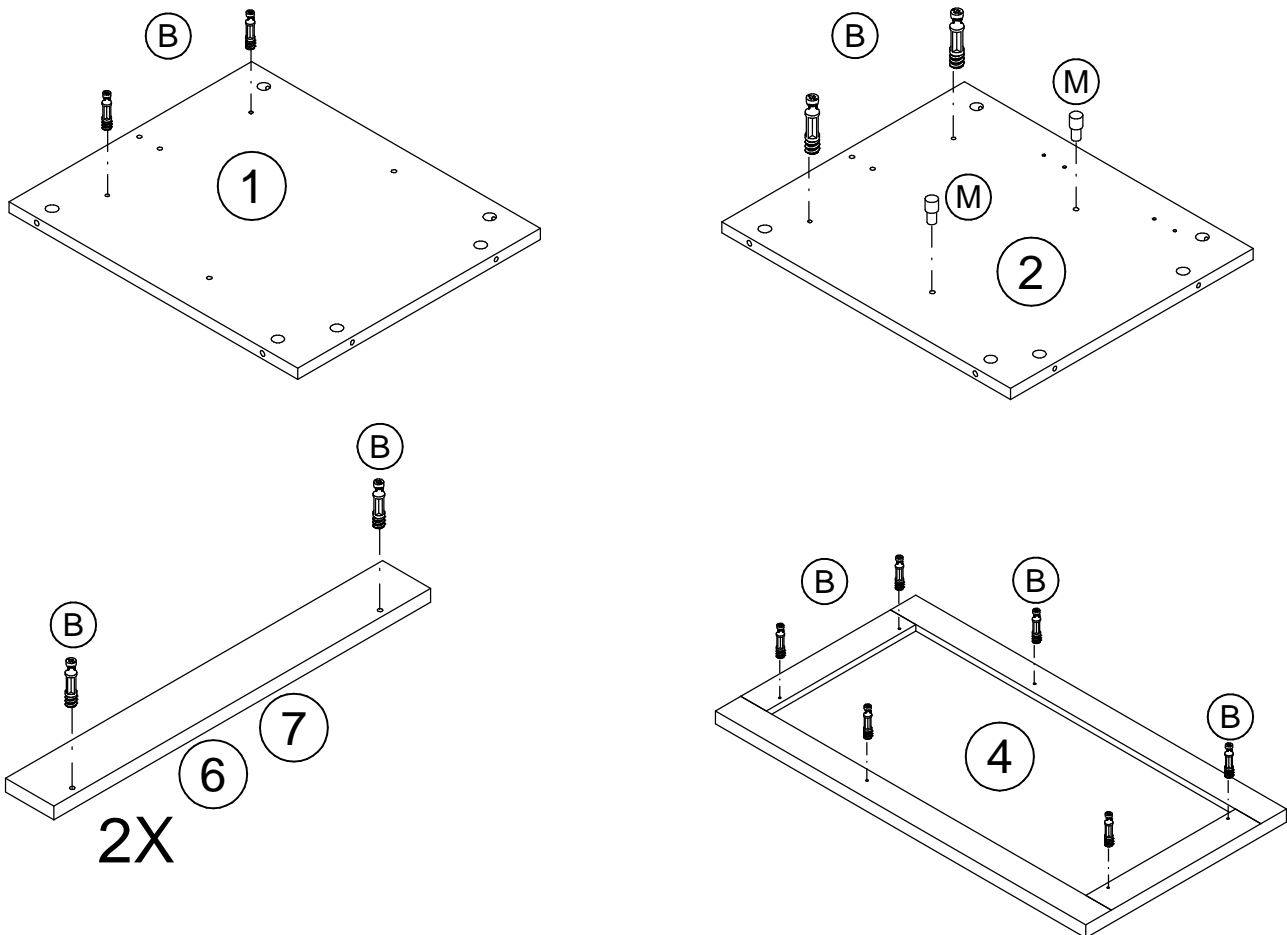
**Step 1:** Insert the hardware (A) into the division (5), shelf (9) and baseboard (8). Then attach hardware (M) to the division (5).

**Do NOT use any power tools as this may damage the frame and will invalidate any claim.**



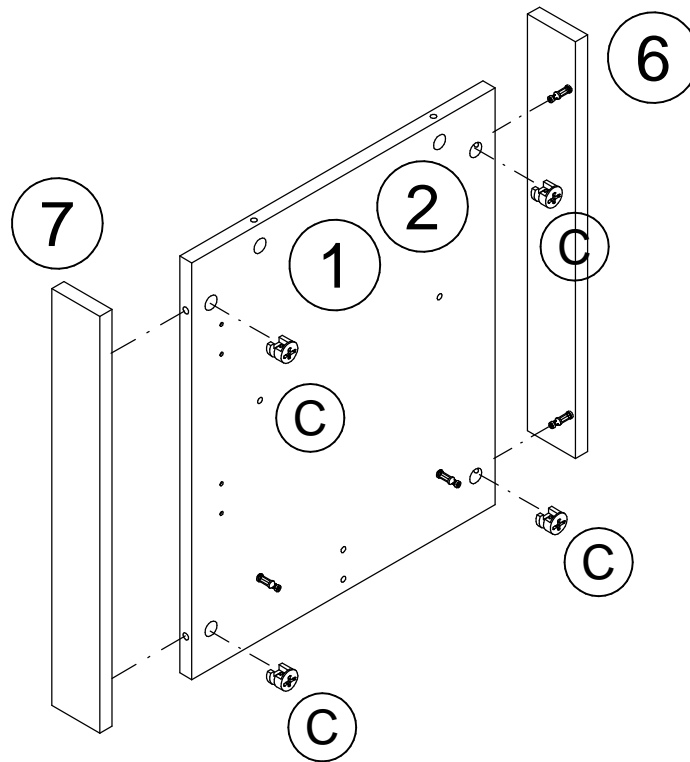
**Step 2:** Insert the hardware (B) in the right side (1), left side (2), top (4), right column (6) and left column (7). Then fix hardware (M) onto the left side (2).

**Do NOT use any power tools as this may damage the frame and will invalidate any claim.**



**Step 3:** Assemble the right column (6) and left column (7) to the right side (1) and left side (2) using hardware (C).

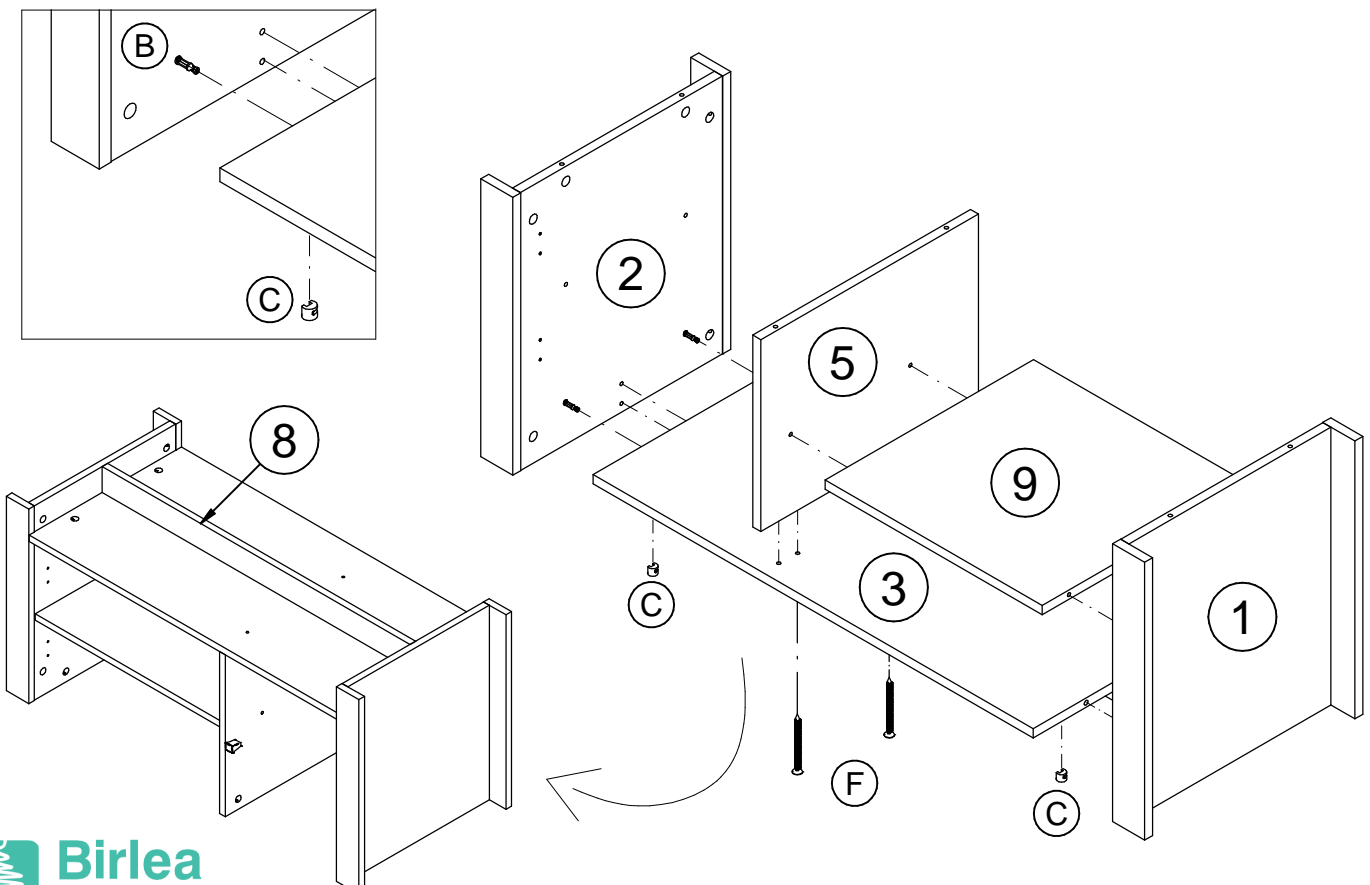
**Do NOT use any power tools as this may damage the frame and will invalidate any claim.**



**Step 4:** Attach the base (3) to the right side (1) and left side (2) using hardware (C). Then attach the baseboard (8) to the right side (1) and left side (2) using hardware (A).

Secure the shelf (9) to the right side (1) and the division (5) using hardware (A). Then attached the division (5) to the base (3) using hardware (A), (F) and a screwdriver (not provided).

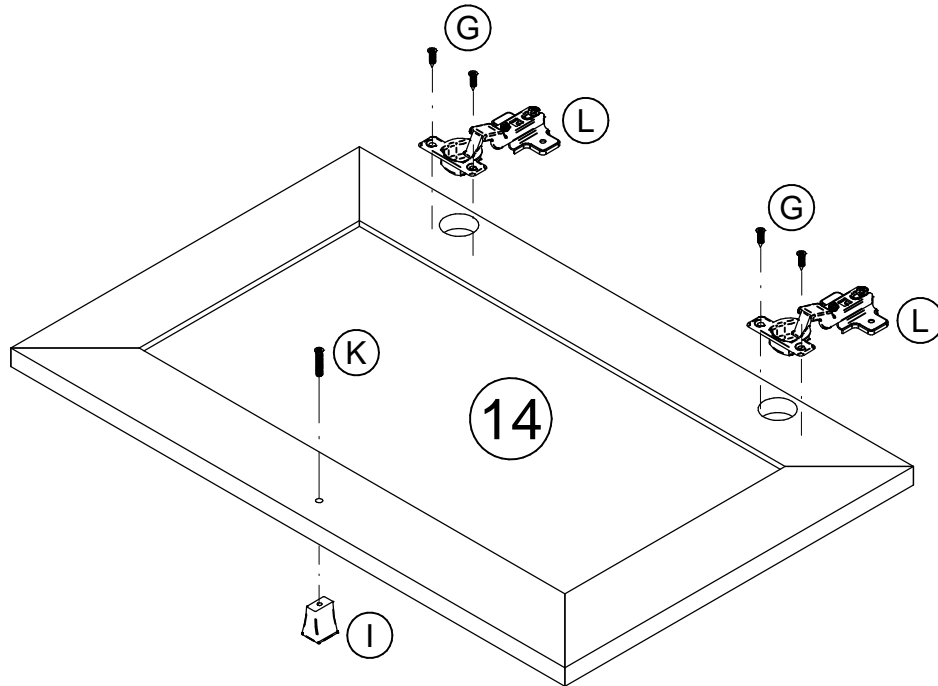
**Do NOT use any power tools as this may damage the frame and will invalidate any claim.**



**Step 5:** Attach hardware (L) to the door (14) using hardware (G).

Attach hardware (I) to the door (14) using hardware (K).

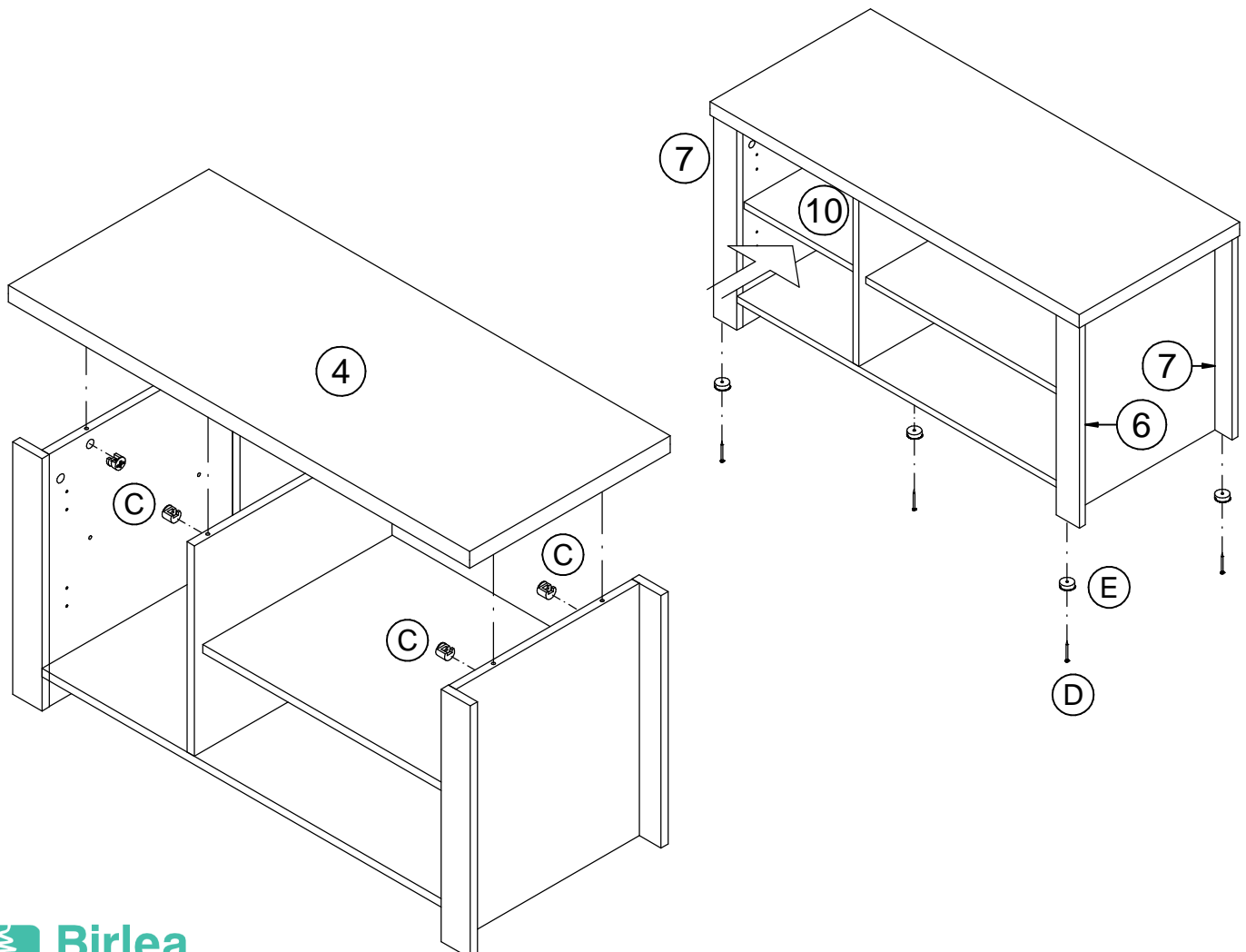
**Do NOT use any power tools as this may damage the frame and will invalidate any claim.**



**Step 6:** Attach the top (4) using hardware (C). Then attach hardware (E) and (D) to the bottom of the right column (6), left column (7) and baseboard (8).

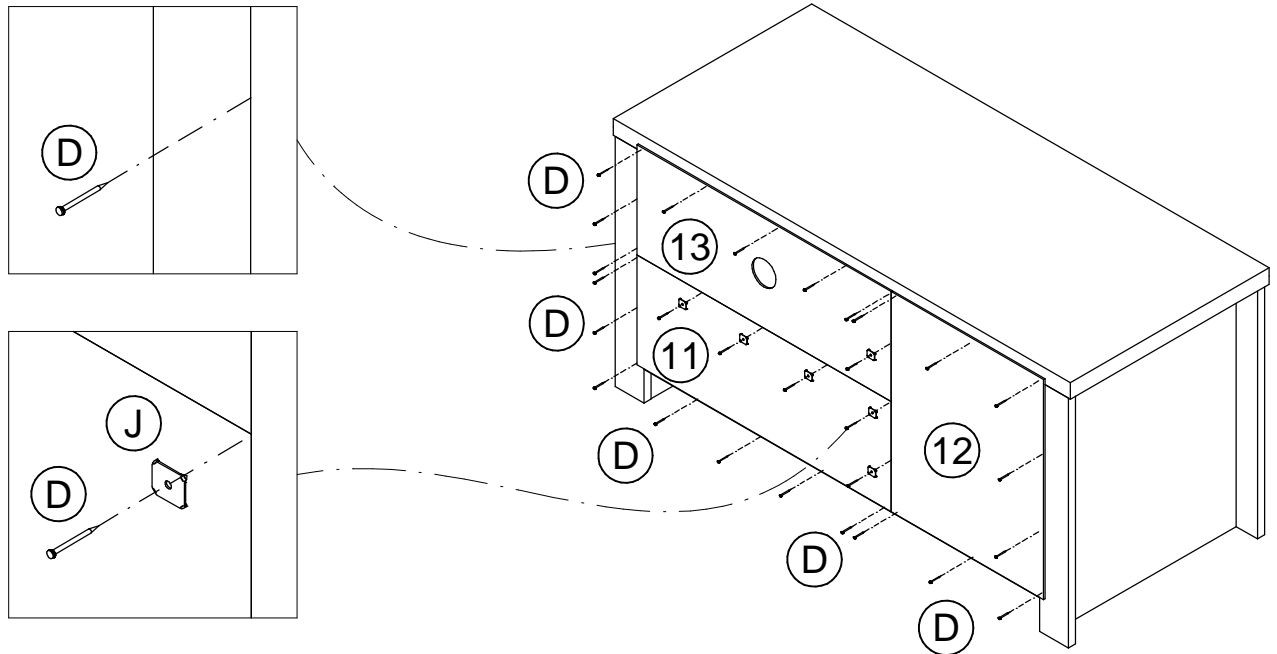
Insert the shelf (10) inside the product, above the hardware (M).

**Do NOT use any power tools as this may damage the frame and will invalidate any claim.**



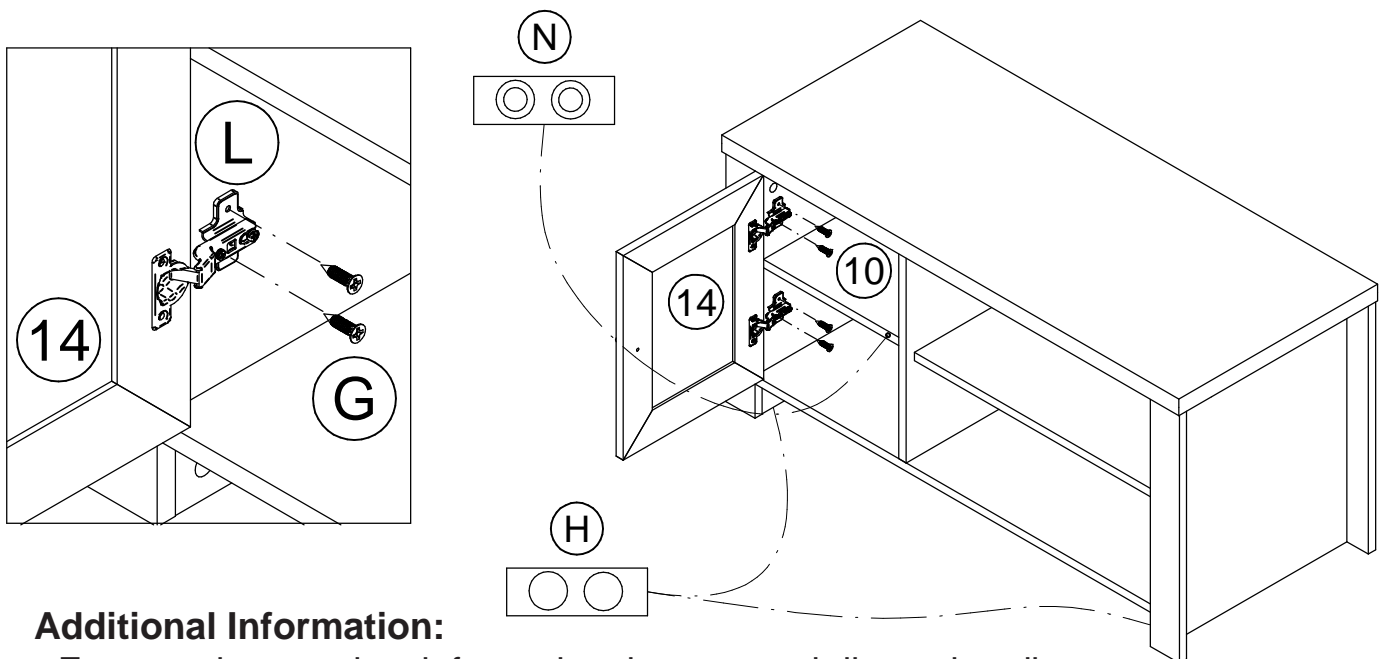
**Step 7:** Attach the bottom back (11), side back (12) and upper back (13) to the back of the assembled product using hardware (D). Then insert hardware (J) between parts (11,12 & 13) as shown below using hardware (D).

**Do NOT use any power tools as this may damage the frame and will invalidate any claim.**



**Step 8:** Fix door (14) to the left side (2) using hardware (G), (L) and a screwdriver (not provided). Insert hardware (H) over the holes show below. Insert hardware (N) in the shelf (10) to hit the door (14).

**Do NOT use any power tools as this may damage the frame and will invalidate any claim.**



#### Additional Information:

- For complete product information, images and dimension diagrams please visit the website [www.birlea.com](http://www.birlea.com)
- If you have any issues with your item please contact the retailer directly you purchased it from who will be able to resolve any issues with Birlea.
- Why don't you send us photos of your assembled furniture to [info@birlea.com](mailto:info@birlea.com) to be shared in our #birleahome feature on Instagram.