



# Birlea

Suppliers of inspiration

## Assembly Instructions

---

Thank you for  
purchasing a  
Birlea product.

For a chance to win a *Love 2 Shop* voucher simply post a picture of your new product on your preferred social channels tagging Birlea Furniture and using the hashtag **#ShareYourStyle** and **#Birlea**. One winner will be selected at random each month.

To view our full terms and conditions please visit our website. [www.birlea.com](http://www.birlea.com)

---

### Are you happy with your purchase?

**Yes:** That's great, we would love to hear more from you. Please leave us a review on our social media channels or Trustpilot. Your feedback will be greatly appreciated.

**No:** If for any reason there is something missing, indifferent or incorrect with your order, please contact the retailer you purchased the item from. We will work with the retailer to resolve your issue as quickly as possible.



[www.birlea.com](http://www.birlea.com)

## ASSEMBLY INSTRUCTIONS

### WINCHESTER NEST OF TABLES

**IMPORTANT: READ THESE INSTRUCTIONS CAREFULLY BEFORE ASSEMBLING OR USING YOUR WINCHESTER NEST OF TABLES.**

**PLEASE KEEP THESE INSTRUCTIONS FOR FUTURE REFERENCE.**

#### **HEALTH & SAFETY:**

DO NOT use this item if any parts are missing, damage or worn.

DO NOT use this item unless all fixings are secured.

Please keep small parts out of reach of children. Always use on a level, even surface.

It is recommended that two people handle and assemble the item.

#### **CARE & MAINTENANCE:**

Assemble in the room of use.

To avoid damages assemble the item on a soft, clean surface Periodically check all screws & fixings to ensure they are secure. DO NOT push the item as this will damage the base.

Always lift the item with two people to reposition. Keep any sharp objects away from the item.

This product is manufactured in pine which is a wood with natural characteristics including knots, grains, clusters or indentations.

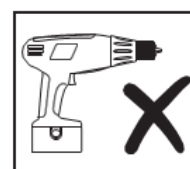
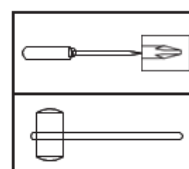
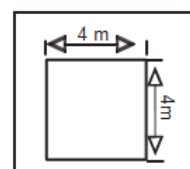
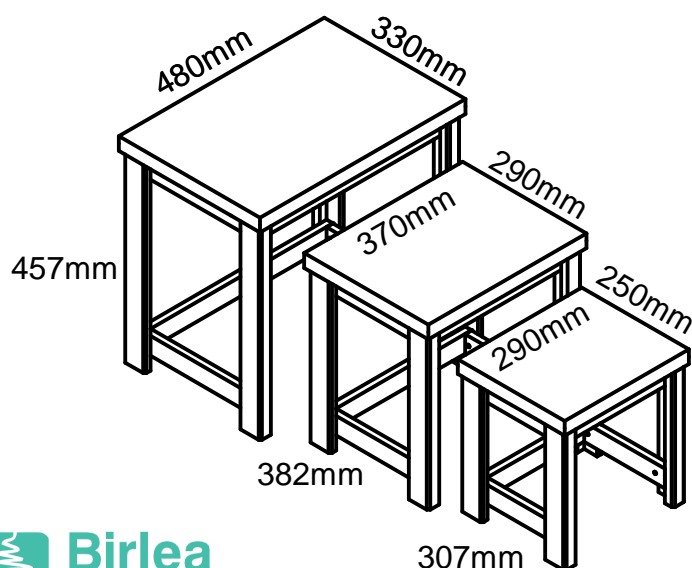
On unpacking the item you may notice an odour due to production processes but this will disappear after a period of time.

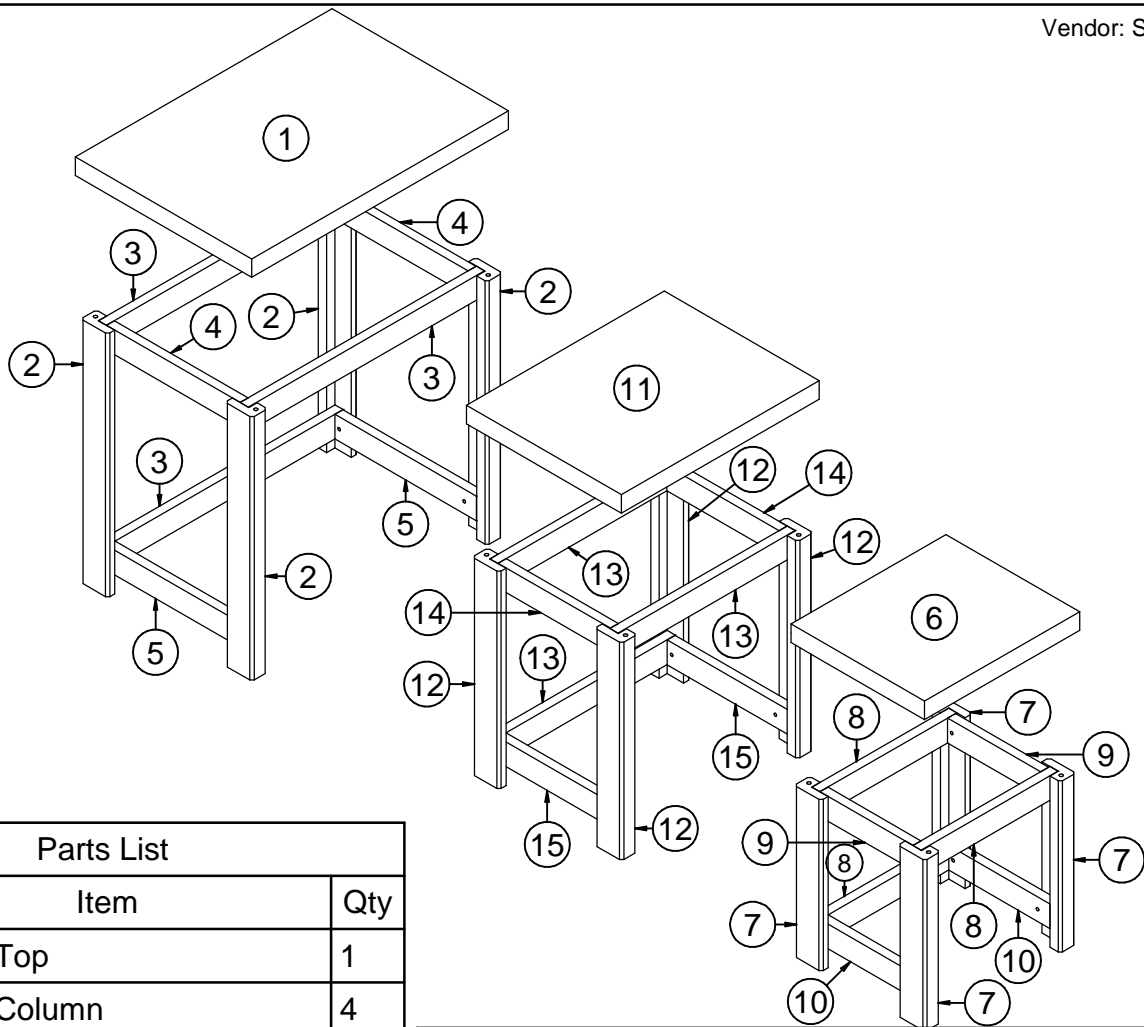
DO NOT place the item next to a radiator or direct sunlight – this item is susceptible to temperature change. It is recommended an even room temperature be maintained with no sudden fluctuations.

DO NOT place hot or cold items directly onto the surface of the item as marking will occur




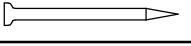





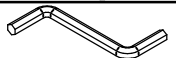
For general cleaning use a duster or damp cloth (almost dry) not wet - do not use soap and water , detergents, aerosol sprays or any polish as use of these would invalidate any claims.

DO NOT place the item onto wet or damp flooring as staining may occur to the floor.

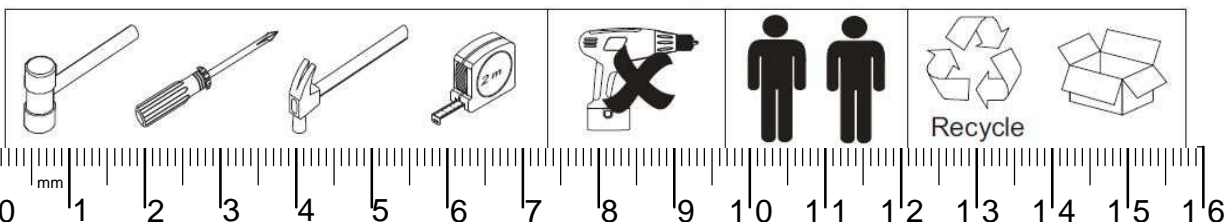




Parts List		
Part	Item	Qty
1	Larger Top	1
2	Larger Column	4
3	Larger Front Traverse	3
4	Larger Side Traverse	2
5	Larger Bottom Side Traverse	2
6	Smaller Top	1
7	Smaller Column	4
8	Smaller Front Traverse	3
9	Smaller Side Traverse	2
10	Smaller Bottom Side Traverse	2
11	Top	1
12	Column	4
13	Front Traverse	3
14	Side Traverse	2
15	Bottom Side Traverse	2

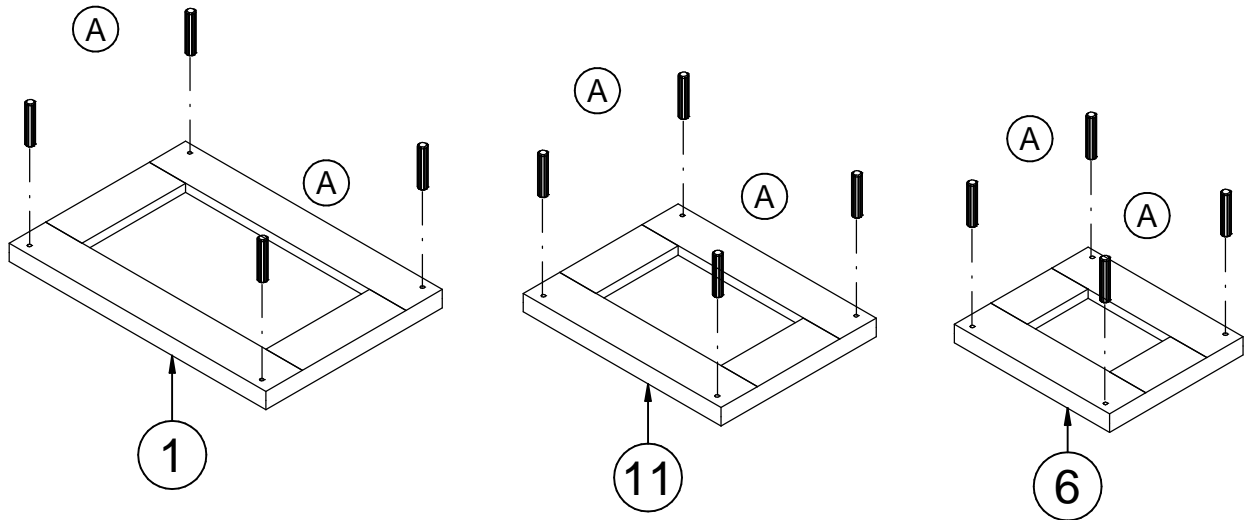
Hardware List		
Part	Item	Qty
A	Wooden dowel 	12
B	25mm Screw 	12
C	40mm Screw 	18
D	Tack 	12
E	Slip Shoe 	12
F	14mm Screw 	24
G	25mm Screw 	12
H	Sticker 	12
I	'L' Bracket 	12
J	Allen Key 	1

\*\* You will need a small mallet and a screwdriver.



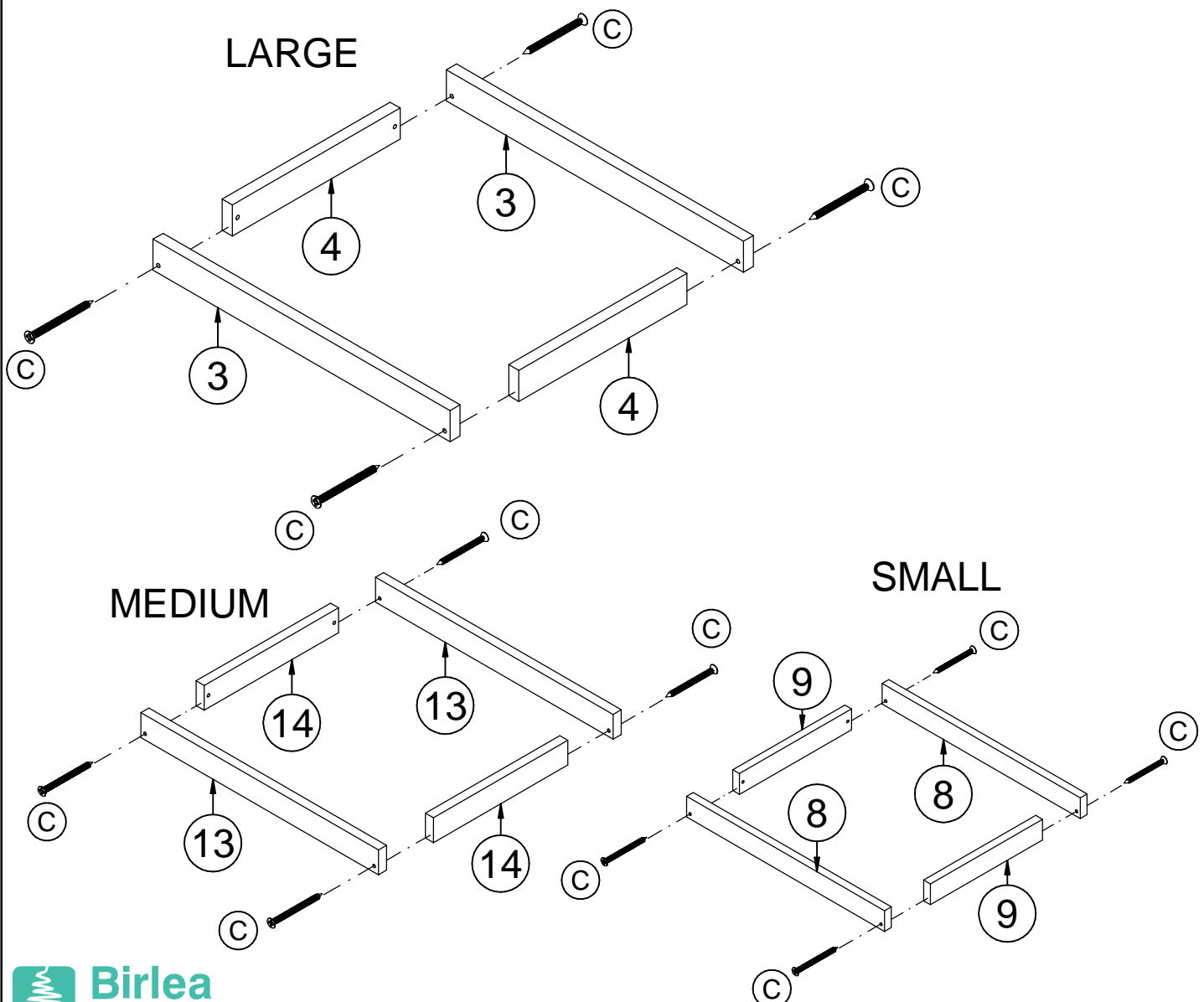
**Step 1:** Insert hardware (A) into the larger top (1), smaller top (6) and top (11).

**Do NOT use any power tools as this may damage the frame and will invalidate any claim.**



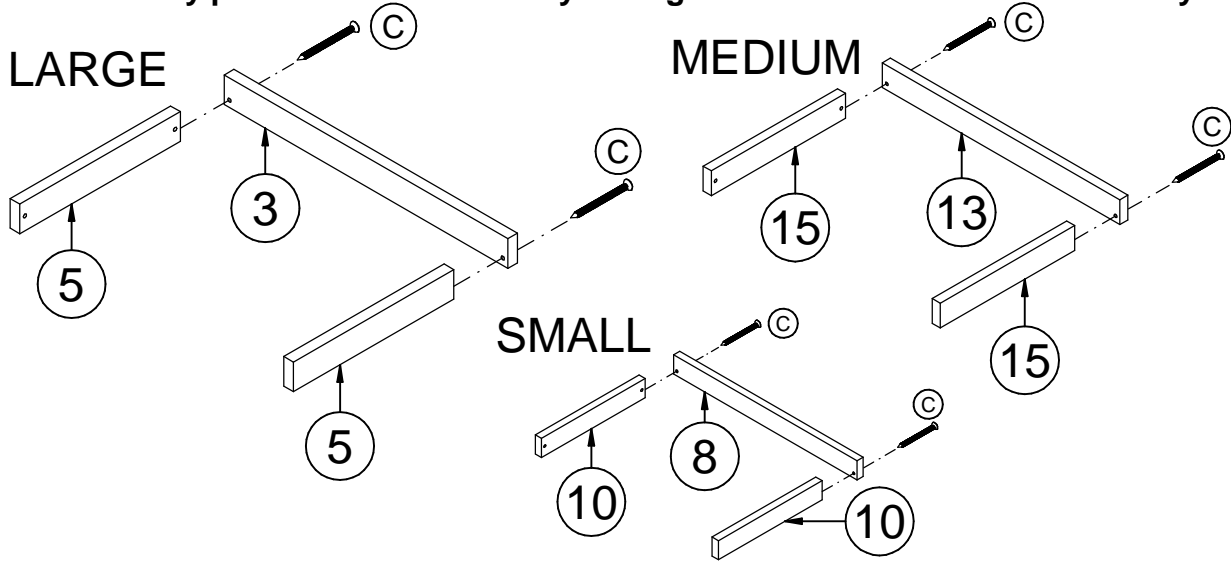
**Step 2:** Attach the Larger front traverse (3) to the Larger side traverse (4), the front traverse (13) to the side traverse (14) and the smaller front traverse (8) to the smaller side traverse (9) using hardware (C) and a screwdriver (not included).

**Do NOT use any power tools as this may damage the frame and will invalidate any claim.**



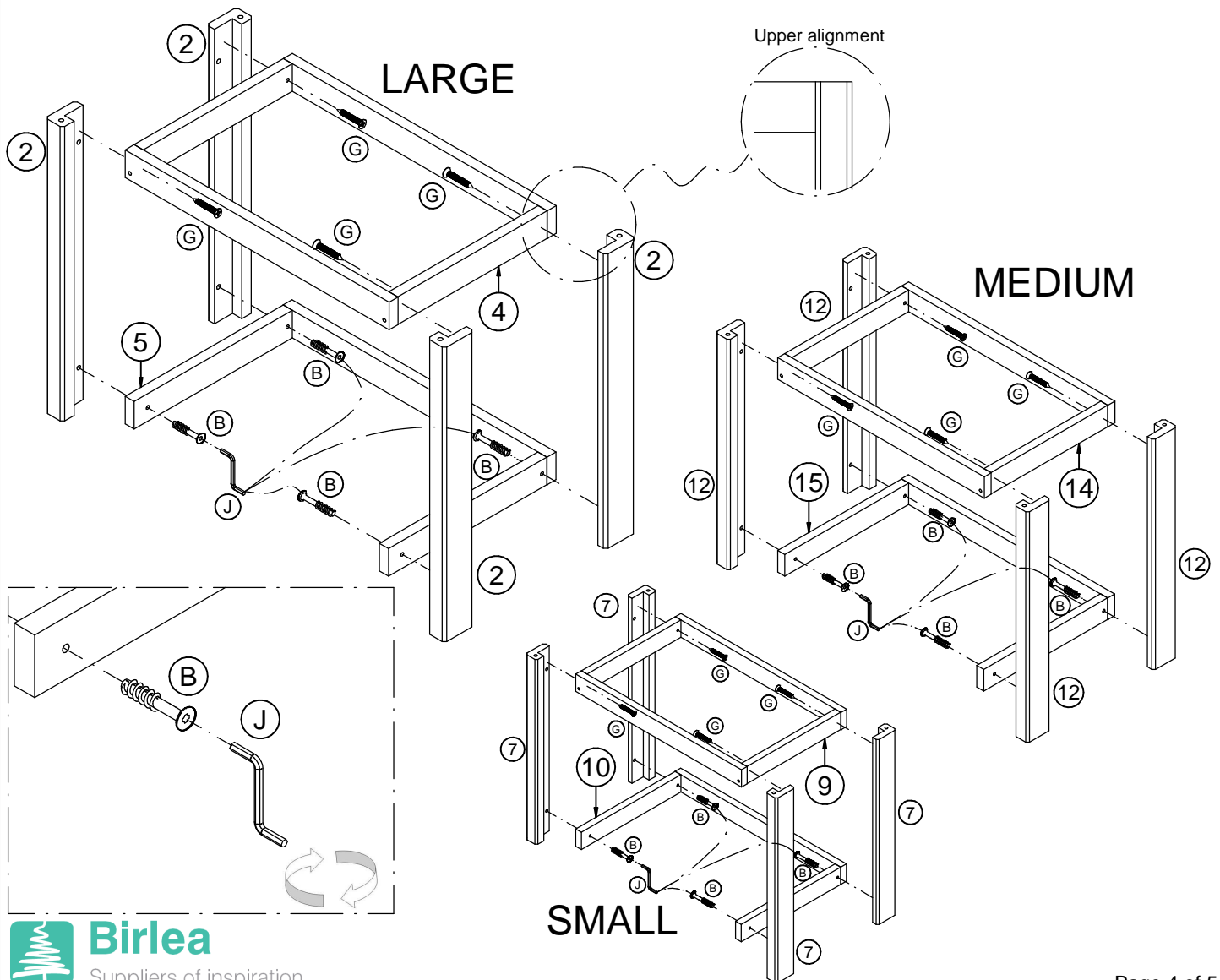
**Step 3:** Attach the larger front traverse (3) to the larger bottom side traverse (5), the front traverse (13) to the bottom side traverse (15) and the smaller front traverse (8) to the smaller bottom side traverse (10) using hardware (C) and a screwdriver (not included).

**Do NOT use any power tools as this may damage the frame and will invalidate any claim.**



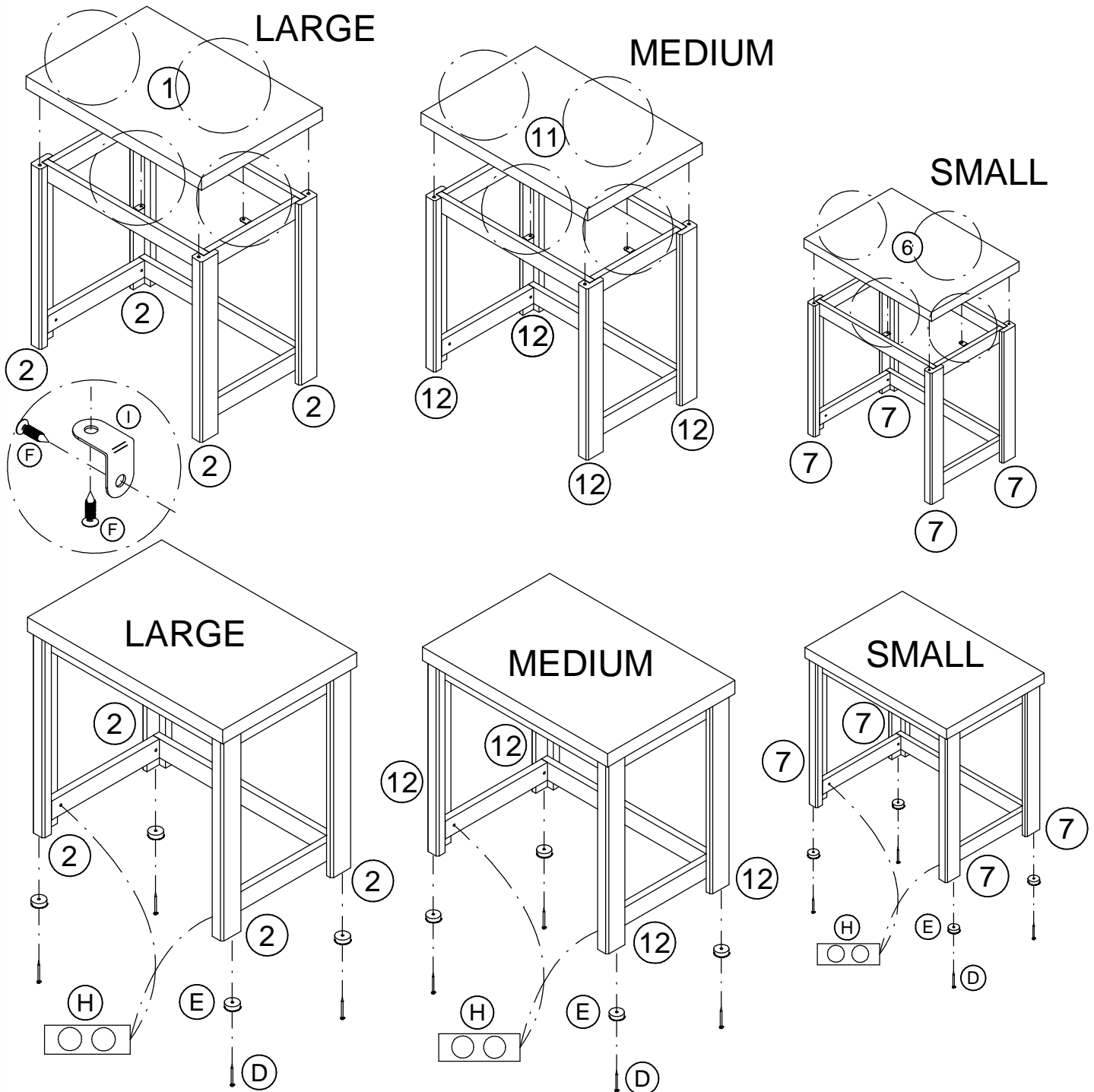
**Step 4:** Attach the Larger column (2) to the larger bottom side traverse (5) and the larger side traverse (4), the column (12) to the bottom side traverse (15) and the side traverse (14) and the smaller column (7) to the smaller bottom side traverse (10) and the smaller side traverse (9) using hardware (B), (G) and (J).

**Do NOT use any power tools as this may damage the frame and will invalidate any claim.**



**Step 5:** Fix the Larger top (1) to the larger column (2), the top (11) to the column (12) and the smaller top (6) to the smaller column (7) using hardware (A), (F) and (I). Then attach the hardware (E) and (D) to the bottom of the larger column (2), the column (12) and the smaller column (7). Insert hardware (H) over the holes shown below.

**Do NOT use any power tools as this may damage the frame and will invalidate any claim.**



**Additional Information:**

- For complete product information, images and dimension diagrams please visit the website [www.birlea.com](http://www.birlea.com)
- If you have any issues with your item please contact the retailer directly you purchased it from who will be able to resolve any issues with Birlea.
- Why don't you send us photos of your assembled furniture to [info@birlea.com](mailto:info@birlea.com) to be shared in our #birleahome feature on Instagram.