



Birlea

Suppliers of inspiration

Assembly Instructions

Thank you for
purchasing a
Birlea product.

For a chance to win a *Love 2 Shop* voucher simply post a picture of your new product on your preferred social channels tagging Birlea Furniture and using the hashtag **#ShareYourStyle** and **#Birlea**. One winner will be selected at random each month.

To view our full terms and conditions please visit our website. www.birlea.com

Are you happy with your purchase?

Yes: That's great, we would love to hear more from you. Please leave us a review on our social media channels or Trustpilot. Your feedback will be greatly appreciated.

No: If for any reason there is something missing, indifferent or incorrect with your order, please contact the retailer you purchased the item from. We will work with the retailer to resolve your issue as quickly as possible.



www.birlea.com

ASSEMBLY INSTRUCTIONS

WINCHESTER CORNER TV UNIT

IMPORTANT: READ THESE INSTRUCTIONS CAREFULLY BEFORE ASSEMBLING OR USING YOUR WINCHESTER CORNER TV UNIT.

PLEASE KEEP THESE INSTRUCTIONS FOR FUTURE REFERENCE.

HEALTH & SAFETY:

DO NOT use this item if any parts are missing, damage or worn.

DO NOT use this item unless all fixings are secured.

Please keep small parts out of reach of children. Always use on a level, even surface.

It is recommended that two people handle and assemble the item.

CARE & MAINTENANCE:

Assemble in the room of use.

To avoid damages assemble the item on a soft, clean surface Periodically check all screws & fixings to ensure they are secure. DO NOT push the item as this will damage the base.

Always lift the item with two people to reposition. Keep any sharp objects away from the item.

This product is manufactured in pine which is a wood with natural characteristics including knots, grains, clusters or indentations.

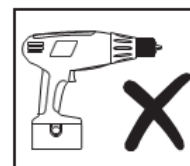
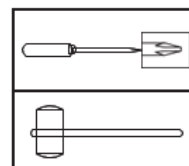
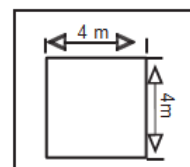
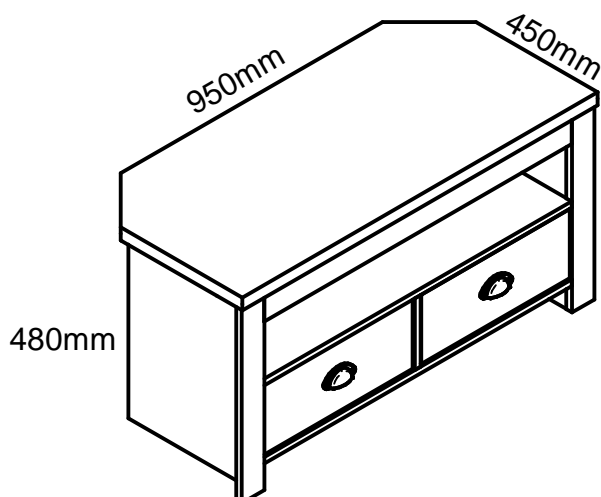
On unpacking the item you may notice an odour due to production processes but this will disappear after a period of time.

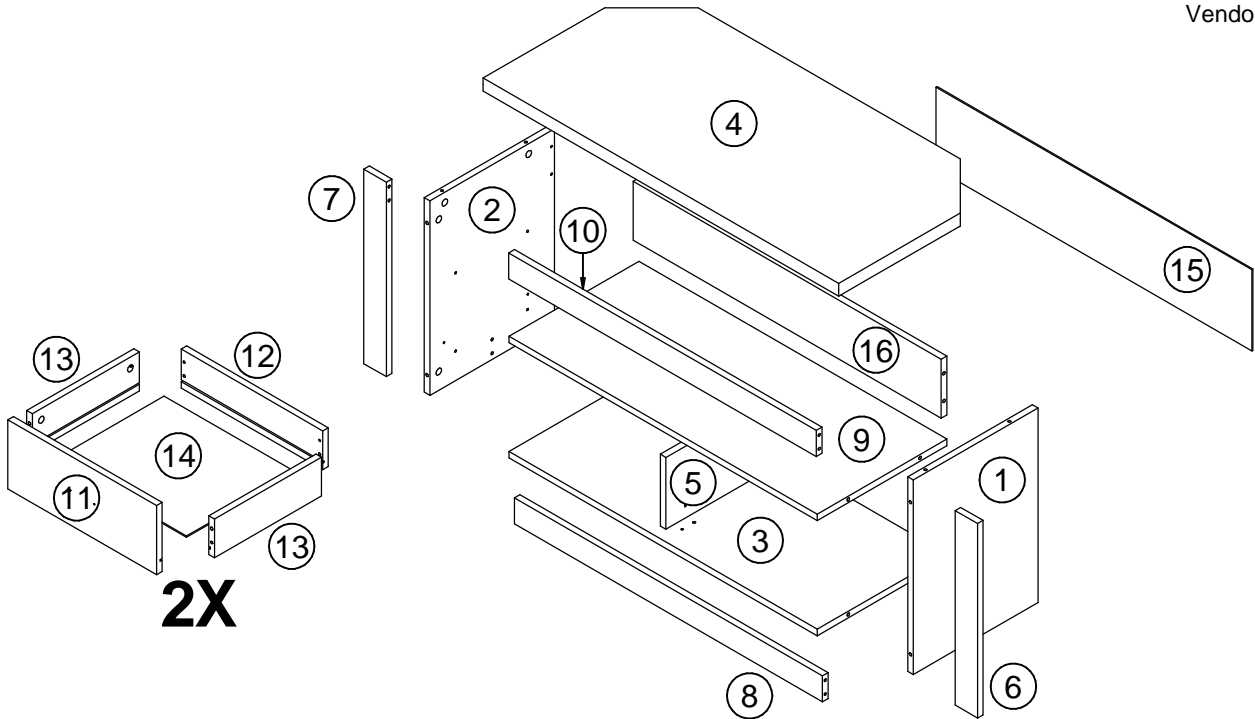
DO NOT place the item next to a radiator or direct sunlight – this item is susceptible to temperature change. It is recommended an even room temperature be maintained with no sudden fluctuations.

DO NOT place hot or cold items directly onto the surface of the item as marking will occur


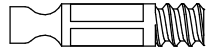

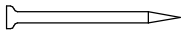





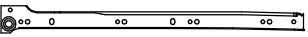
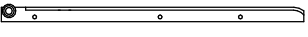


For general cleaning use a duster or damp cloth (almost dry) not wet - do not use soap and water , detergents, aerosol sprays or any polish as use of these would invalidate any claims.

DO NOT place the item onto wet or damp flooring as staining may occur to the floor.

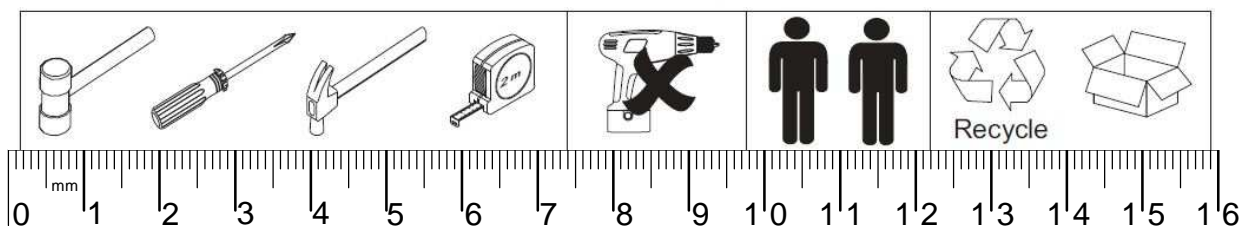




Parts List		
Part	Item	Qty
1	Right Side	1
2	Left Side	1
3	Base	1
4	Top	1
5	Division	1
6	Right Column	1
7	Left Column	1
8	Baseboard	1
9	Shelf	1
10	Traverse	1
11	Drawer Front	2
12	Drawer Back	2
13	Drawer Side	4
14	Drawer Bottom	2
15	Bottom Back	1
16	Upper Back	1

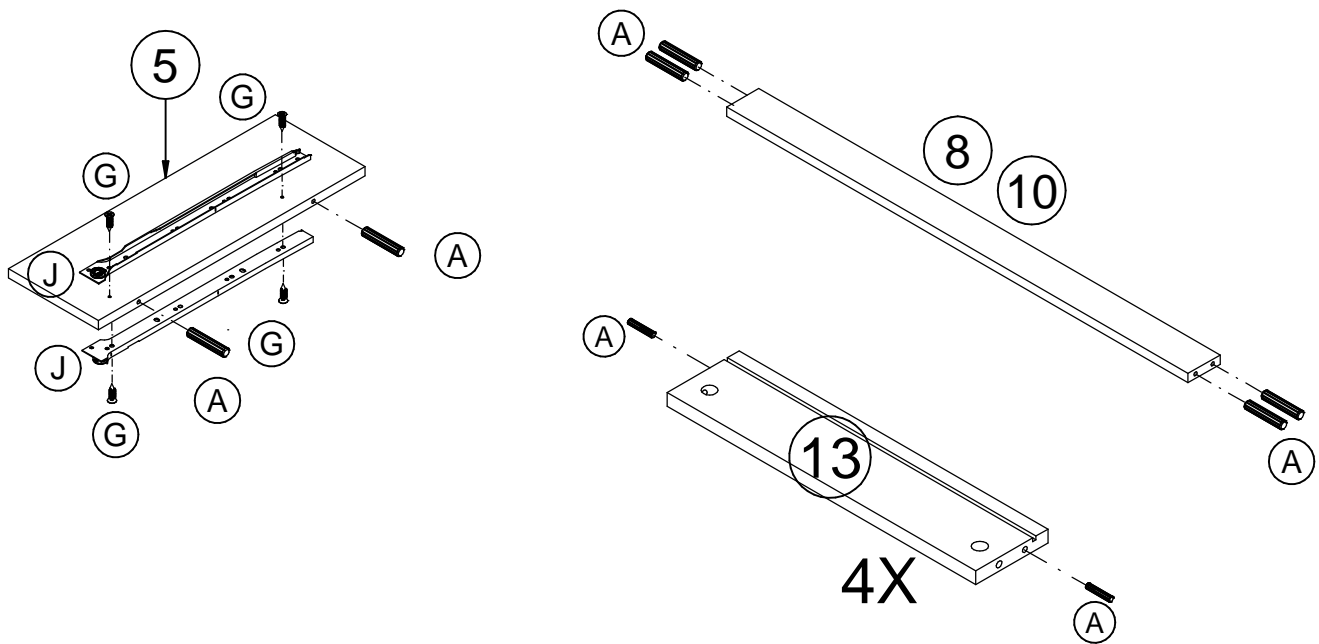
Hardware List		
Part	Item	Qty
A	Wooden dowel 	18
B	Cam Bolt 	30
C	Cam Lock 	30
D	Tack 	25
E	Slip Shoe 	5
F	40mm Screw 	2
G	14mm Screw 	20
H	Sticker 	2
I	Handle 	2
J	Side Slide 	2
K	Drawer Slide 	2
L	25mm Screw 	1
M	Trapeze Fixation 	1

** You will need a small mallet and a screwdriver.



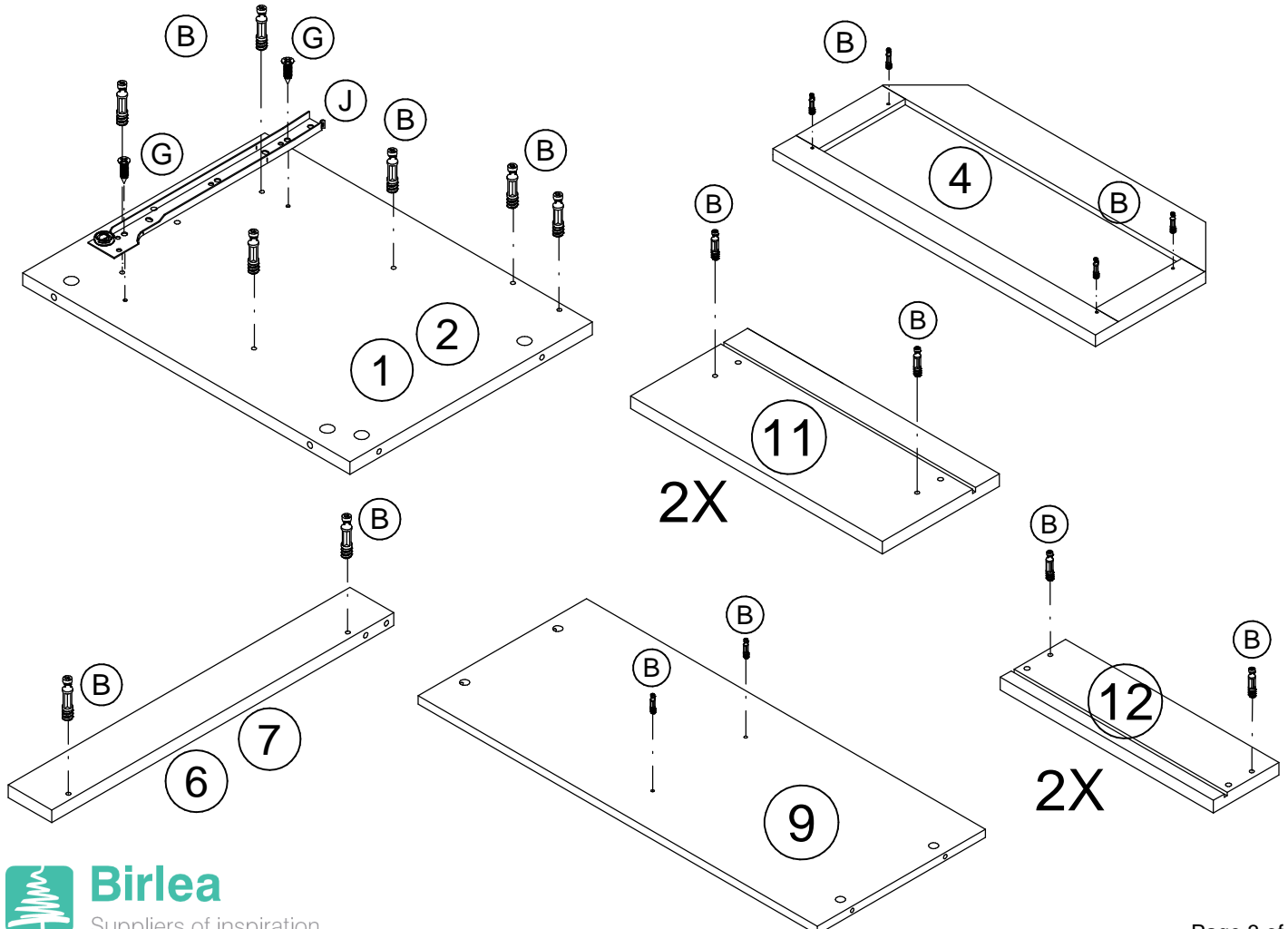
Step 1: Insert the hardware (A) into the division (5), traverse (10), drawer side (13) and baseboard (8). Then attach hardware (J) to the division (5) using hardware (G).

Do NOT use any power tools as this may damage the frame and will invalidate any claim.



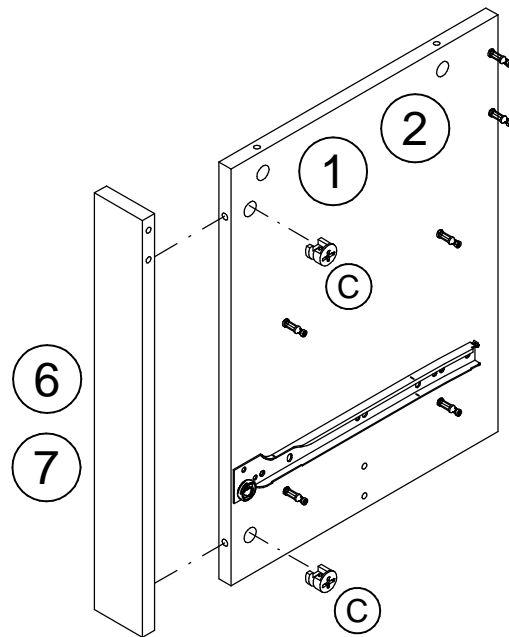
Step 2: Insert the hardware (B) in the right side (1), left side (2), top (4), shelf (9), drawer front (11), drawer back (12), right column (6) and left column (7). Then fix hardware (J) onto the right side (1) and left side (2) using hardware (G).

Do NOT use any power tools as this may damage the frame and will invalidate any claim.



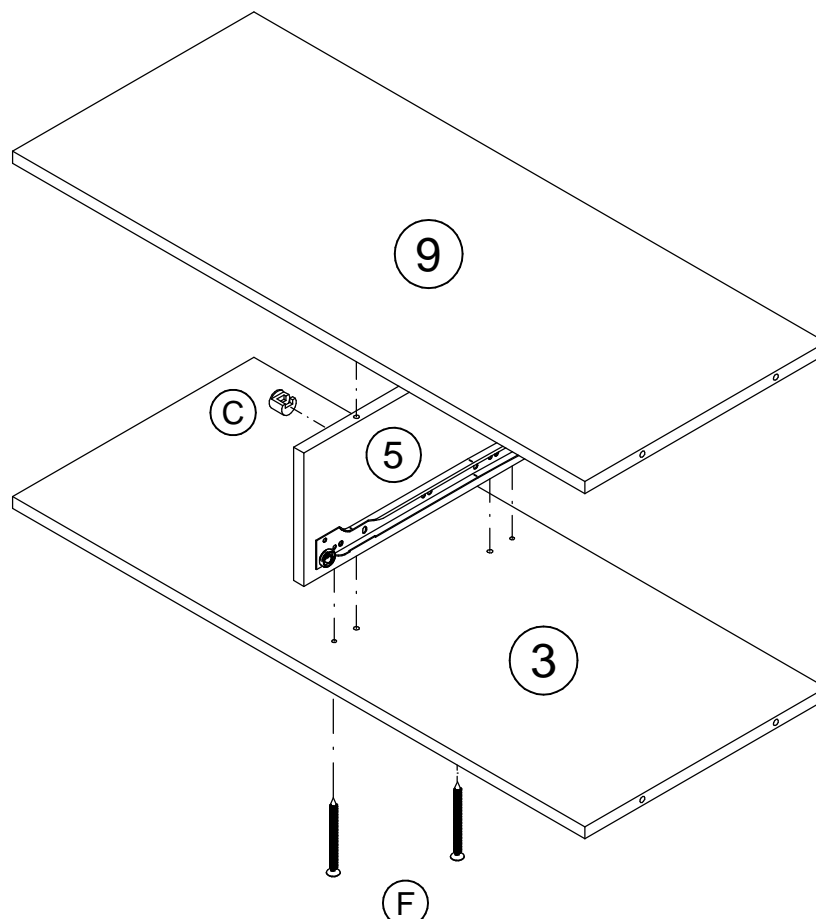
Step 3: Assemble the right column (6) and left column (7) to the right side (1) and left side (2) using hardware (C).

Do NOT use any power tools as this may damage the frame and will invalidate any claim.



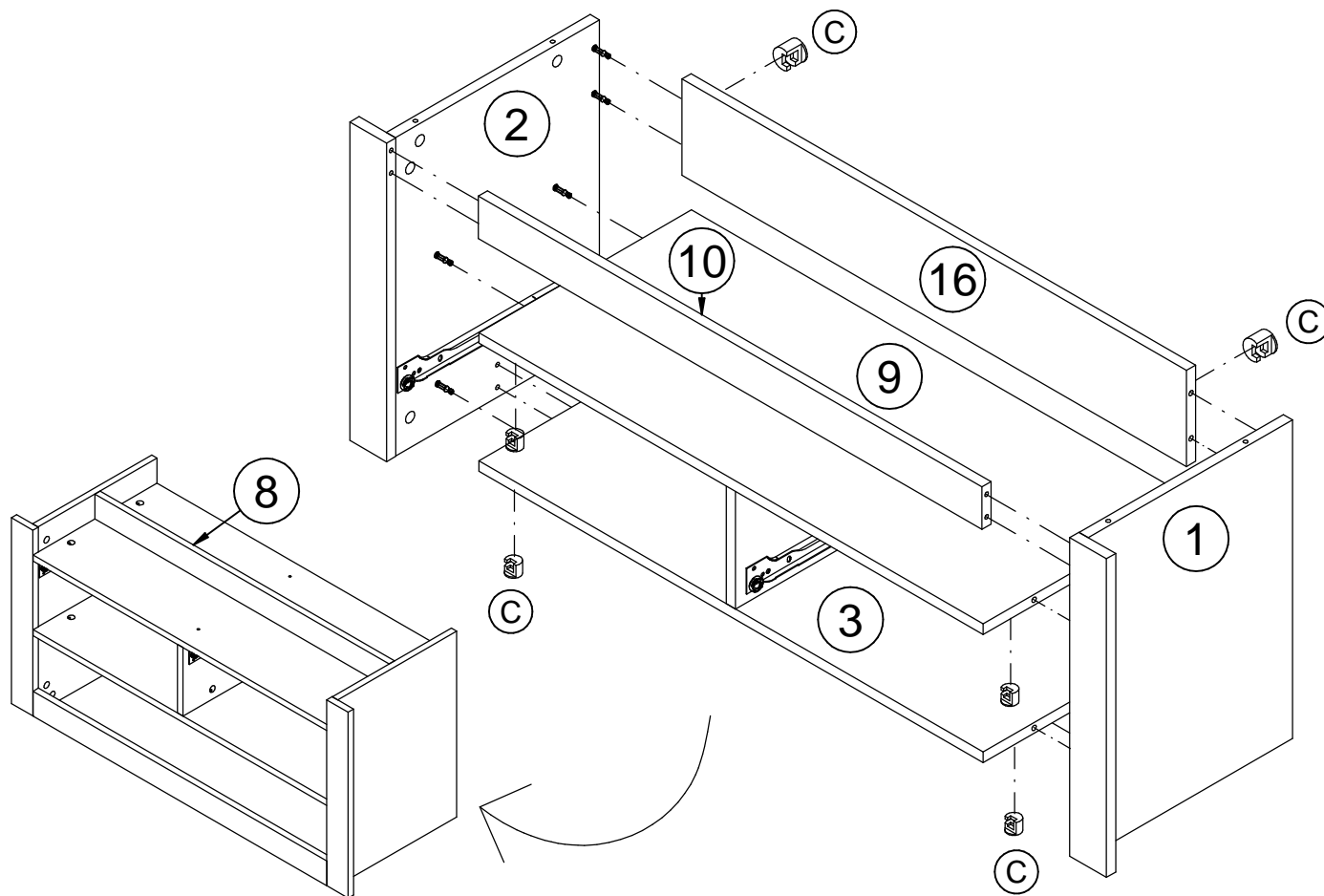
Step 4: Attach the division (5) to the base (3) and shelf (9) using hardware (C), (A), (F) and screwdriver (not provided).

Do NOT use any power tools as this may damage the frame and will invalidate any claim.



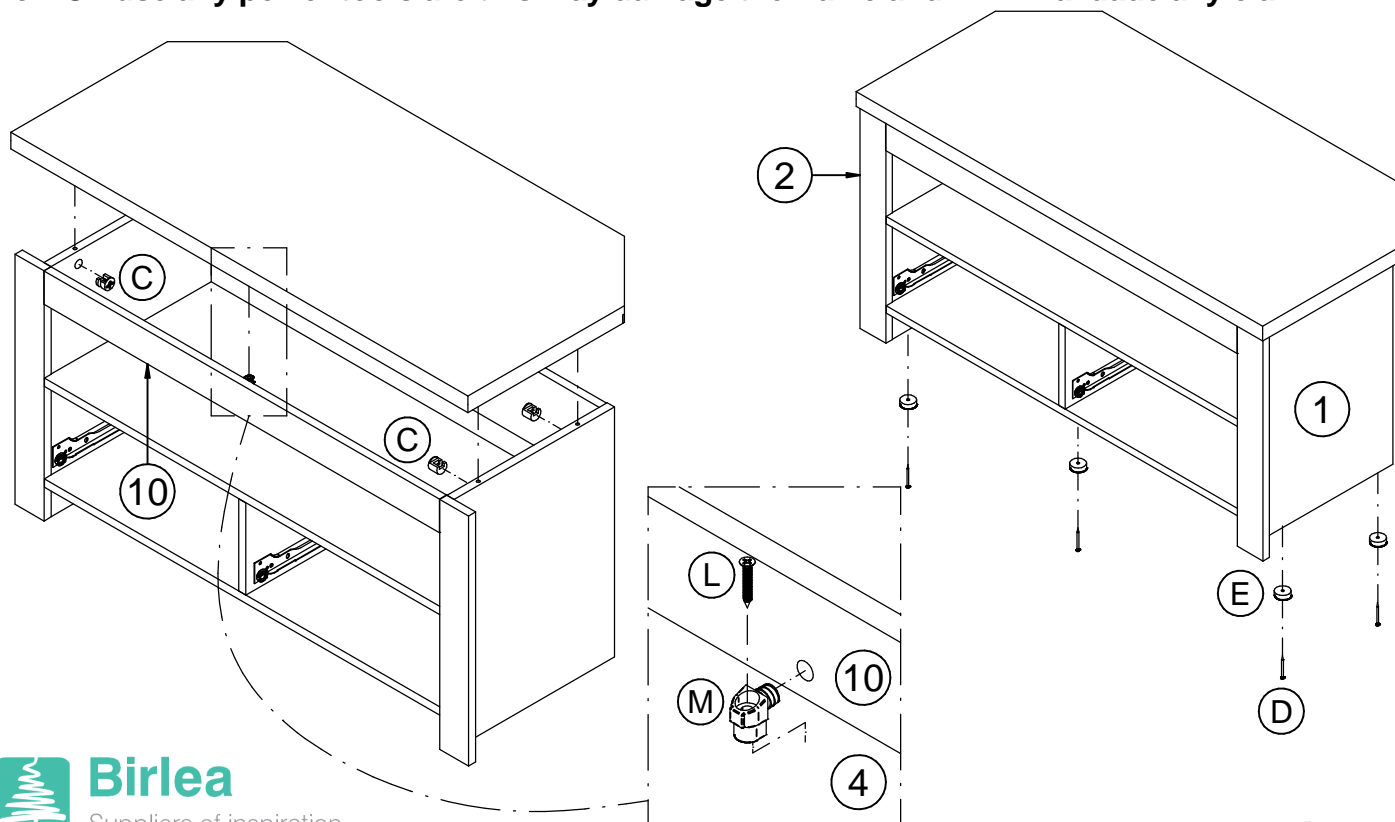
Step 5: Attach the base (3), shelf (9), traverse (10), upper back (16) and the baseboard (8) to the right and left side (1 & 2) using hardware (C) and (A).

Do NOT use any power tools as this may damage the frame and will invalidate any claim.

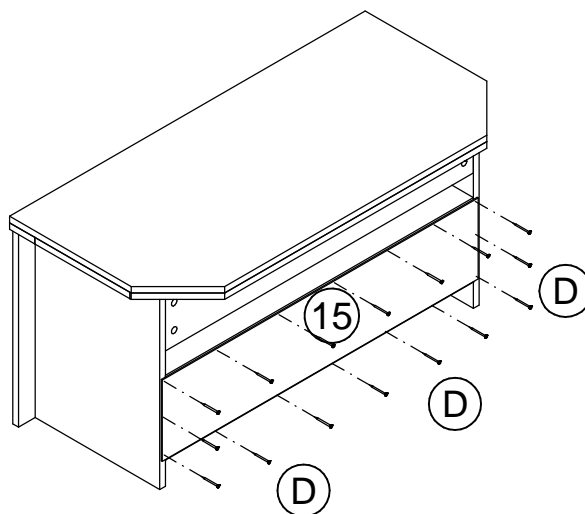


Step 6: Insert hardware (L) and (M) to the traverse (10) as shown below. Fix the top (4) using hardware (C). Then attach hardware (E) and (D) to the bottom of the right side (1), left side (2) and baseboard (8).

Do NOT use any power tools as this may damage the frame and will invalidate any claim.



Step 7: Attach the bottom back (15) to the back of the assembled product using hardware (D).
Do NOT use any power tools as this may damage the frame and will invalidate any claim.

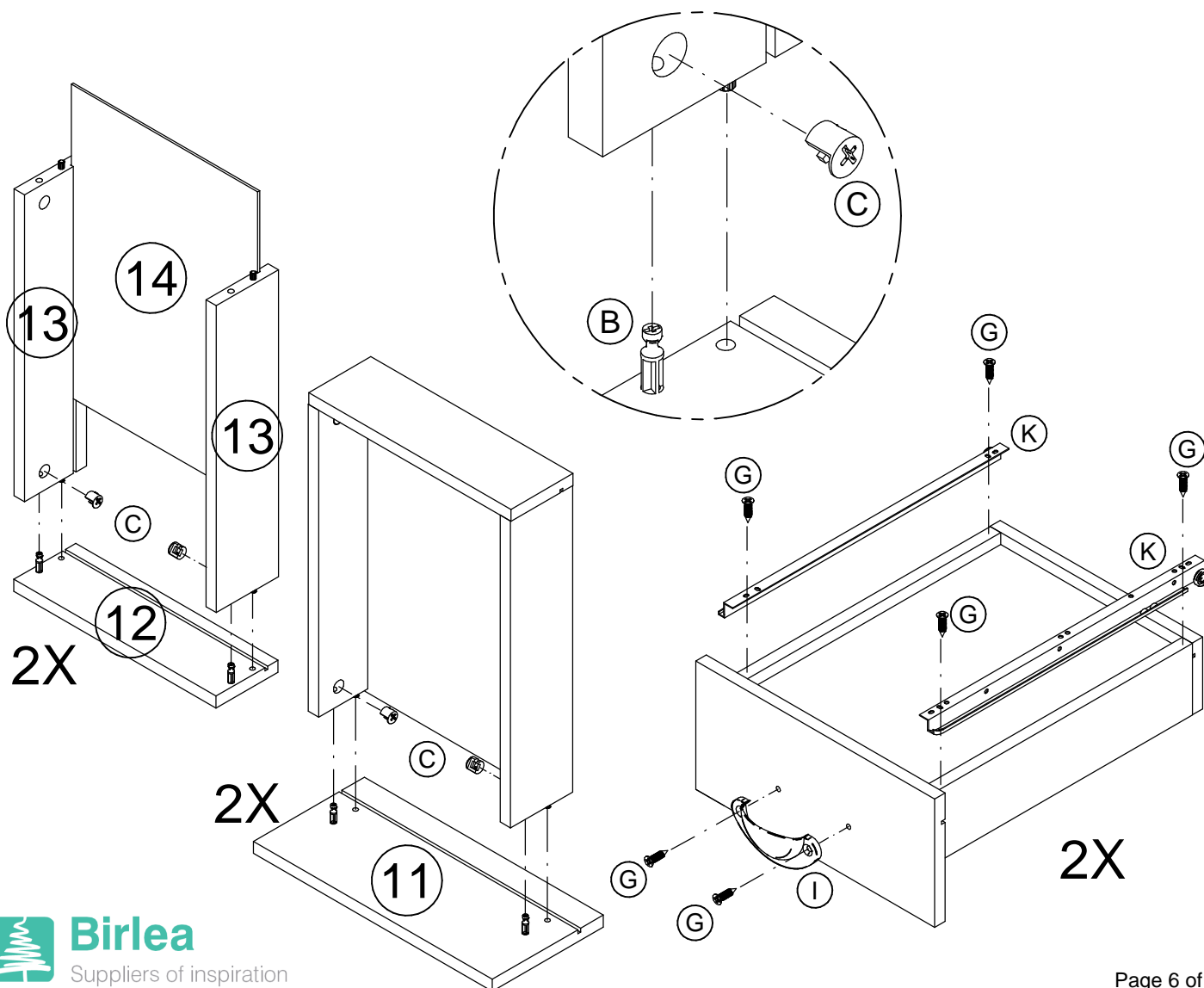


Step 8: Attach the drawer side (13) to the drawer back (12) using hardware (C) then insert the drawer bottom (14).

Attach the drawer front (11) to the drawer side (13) using hardware (C). Then attach hardware (K) onto the drawer side (13) using hardware (G).

Attach hardware (I) to the drawer front (11) using hardware (G).

Do NOT use any power tools as this may damage the frame and will invalidate any claim.

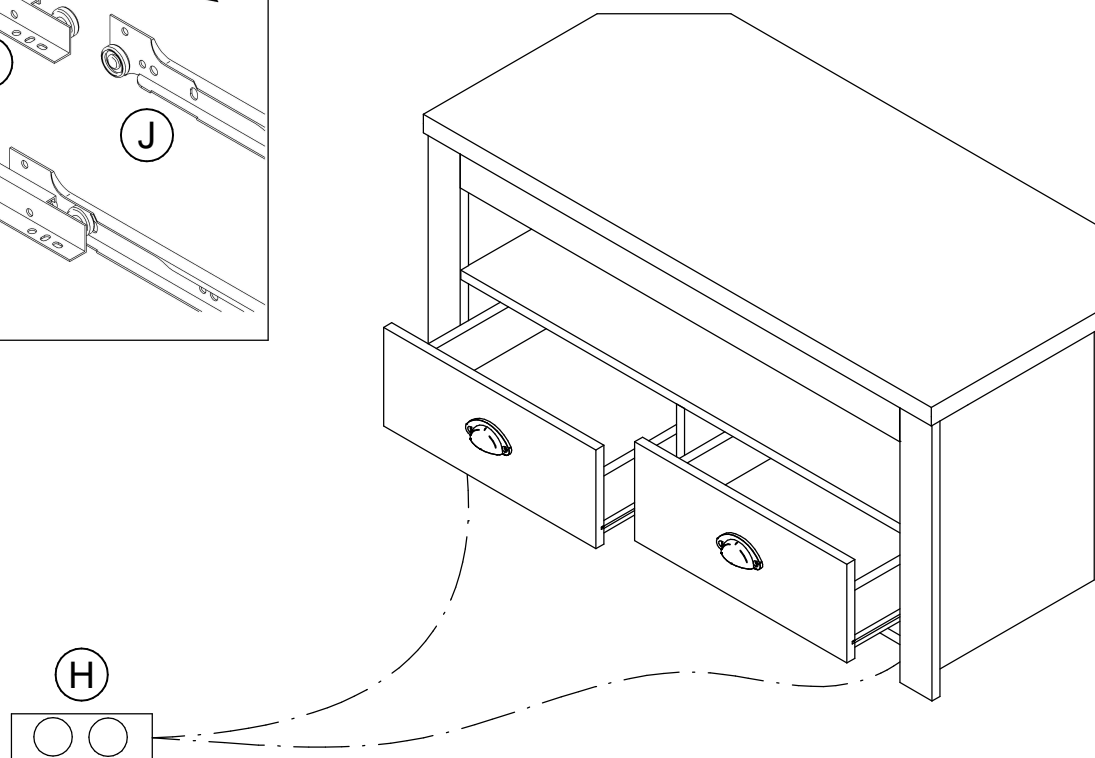
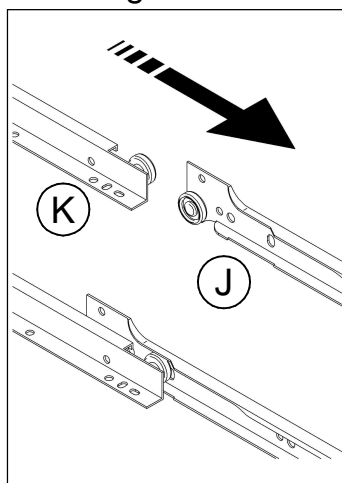


Step 9: Insert the drawers into the assembled coffee table as shown below.

Insert hardware (H) over the holes show below.

Do NOT use any power tools as this may damage the frame and will invalidate any claim.

Inserting the Drawers



Additional Information:

- For complete product information, images and dimension diagrams please visit the website www.birlea.com
- If you have any issues with your item please contact the retailer directly you purchased it from who will be able to resolve any issues with Birlea.
- Why don't you send us photos of your assembled furniture to info@birlea.com to be shared in our #birleahome feature on Instagram.