



Birlea

Suppliers of inspiration

Assembly Instructions

Thank you for
purchasing a
Birlea product.

For a chance to win a *Love 2 Shop* voucher simply post a picture of your new product on your preferred social channels tagging Birlea Furniture and using the hashtag **#ShareYourStyle** and **#Birlea**. One winner will be selected at random each month.

To view our full terms and conditions please visit our website. www.birlea.com

Are you happy with your purchase?

Yes: That's great, we would love to hear more from you. Please leave us a review on our social media channels or Trustpilot. Your feedback will be greatly appreciated.

No: If for any reason there is something missing, indifferent or incorrect with your order, please contact the retailer you purchased the item from. We will work with the retailer to resolve your issue as quickly as possible.



www.birlea.com

ASSEMBLY INSTRUCTIONS

WINCHESTER COFFEE TABLE

IMPORTANT: READ THESE INSTRUCTIONS CAREFULLY BEFORE ASSEMBLING OR USING YOUR WINCHESTER COFFEE TABLE.

PLEASE KEEP THESE INSTRUCTIONS FOR FUTURE REFERENCE.

HEALTH & SAFETY:

DO NOT use this item if any parts are missing, damage or worn.

DO NOT use this item unless all fixings are secured.

Please keep small parts out of reach of children. Always use on a level, even surface.

It is recommended that two people handle and assemble the item.

CARE & MAINTENANCE:

Assemble in the room of use.

To avoid damages assemble the item on a soft, clean surface Periodically check all screws & fixings to ensure they are secure. DO NOT push the item as this will damage the base.

Always lift the item with two people to reposition. Keep any sharp objects away from the item.

This product is manufactured in pine which is a wood with natural characteristics including knots, grains, clusters or indentations.

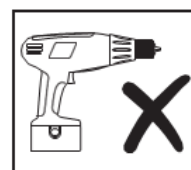
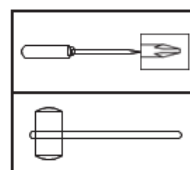
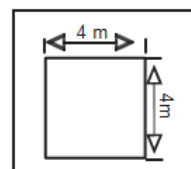
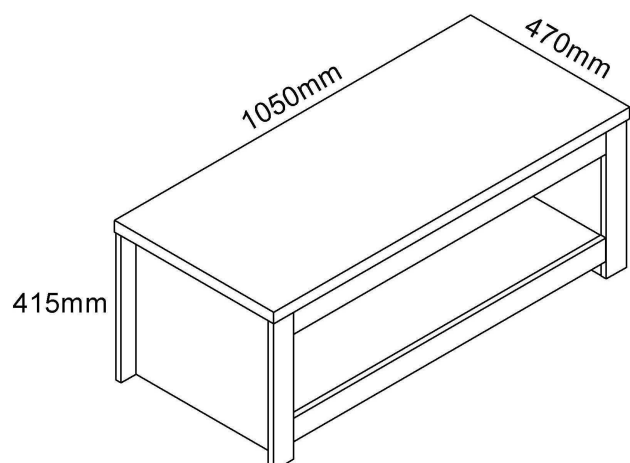
On unpacking the item you may notice an odour due to production processes but this will disappear after a period of time.

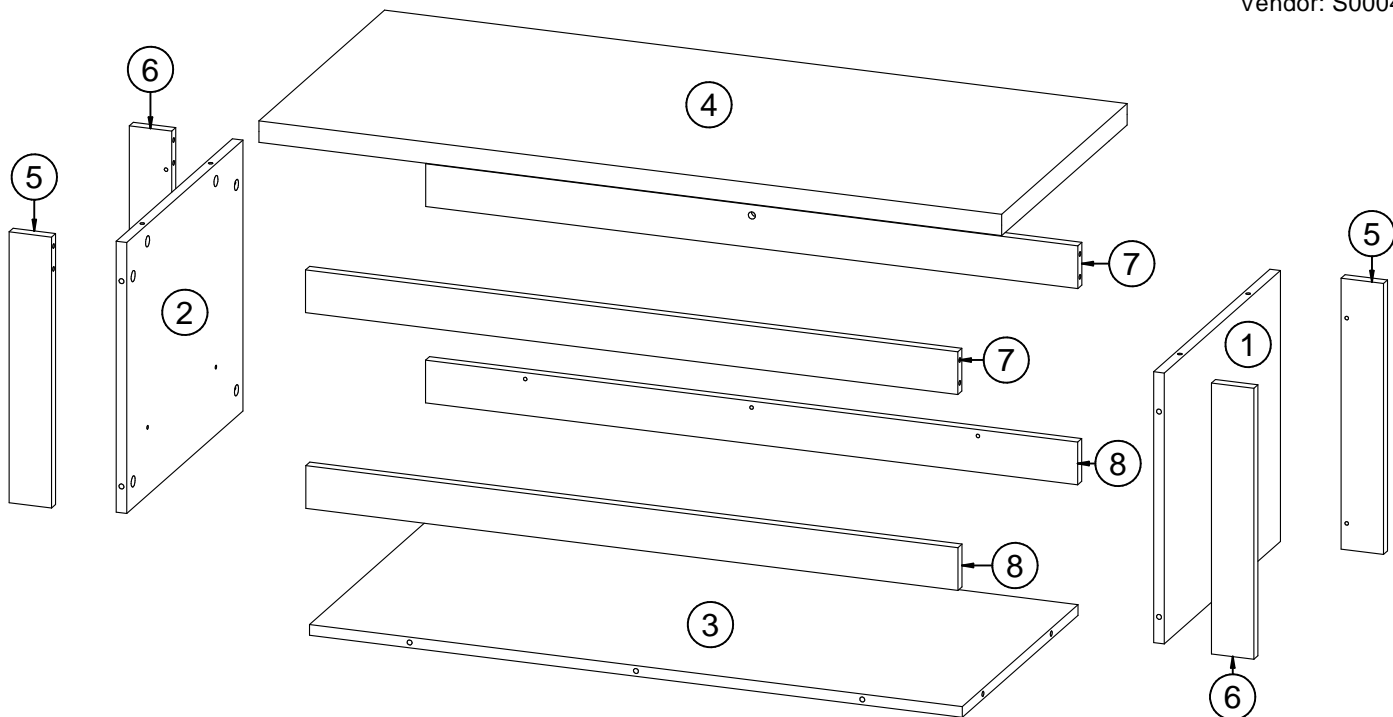
DO NOT place the item next to a radiator or direct sunlight – this item is susceptible to temperature change. It is recommended an even room temperature be maintained with no sudden fluctuations.

DO NOT place hot or cold items directly onto the surface of the item as marking will occur


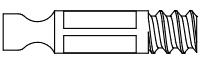

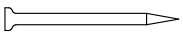


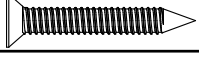

For general cleaning use a duster or damp cloth (almost dry) not wet - do not use soap and water , detergents, aerosol sprays or any polish as use of these would invalidate any claims.

DO NOT place the item onto wet or damp flooring as staining may occur to the floor.

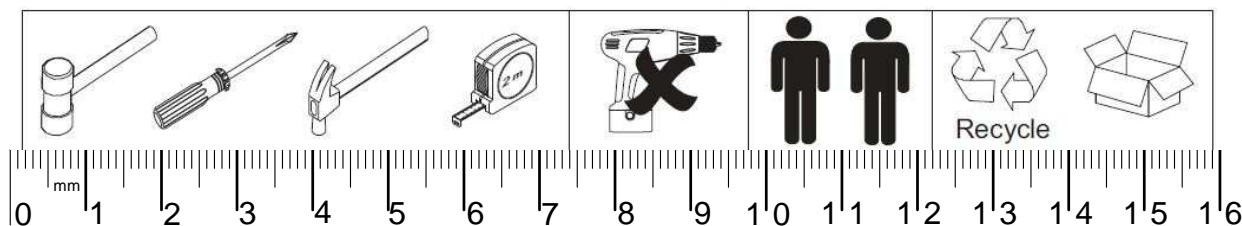




Parts List		
Part	Item	Qty
1	Right Side	1
2	Left Side	1
3	Base	1
4	Top	1
5	Left Column	2
6	Right Column	2
7	Traverse	2
8	Baseboard	2

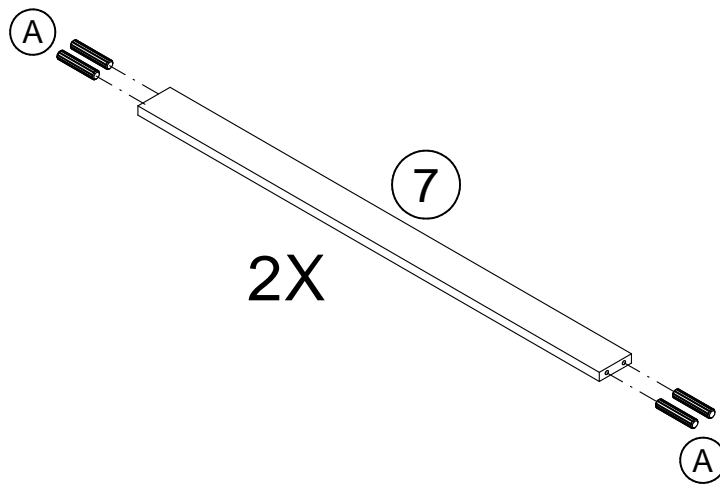
Hardware List		
Part	Item	Qty
A	Wooden dowel 	8
B	Cam Bolt 	22
C	Cam Lock 	22
D	Tack 	4
E	Slip Shoe 	4
F	Trapeze Fixation 	2
G	25mm Screw 	2
H	Sticker 	4

** You will need a small mallet and a screwdriver.



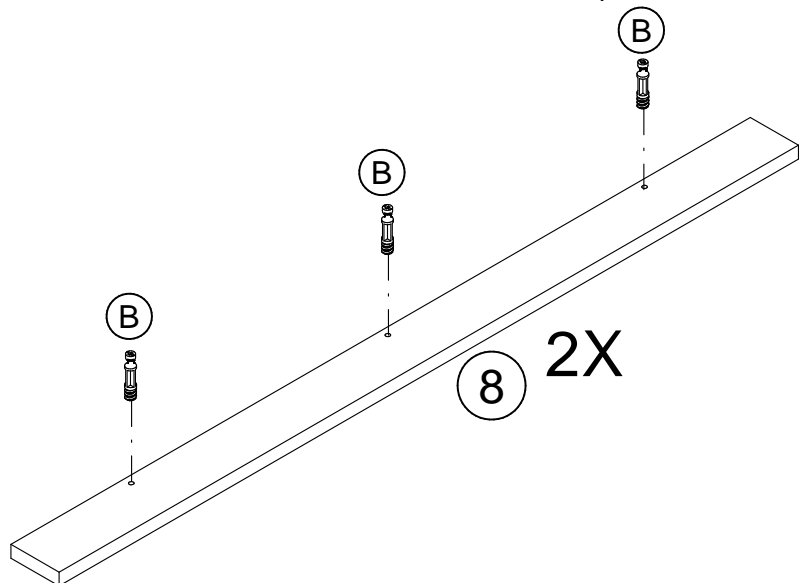
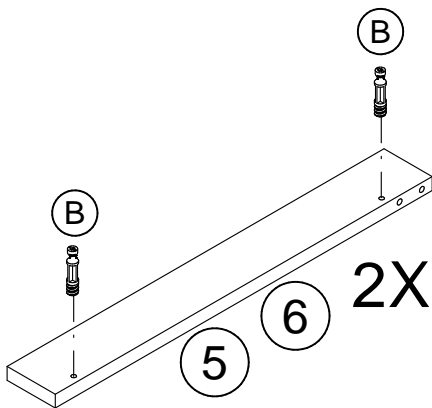
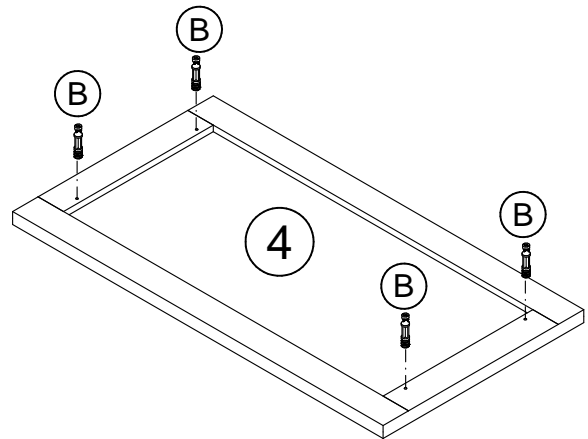
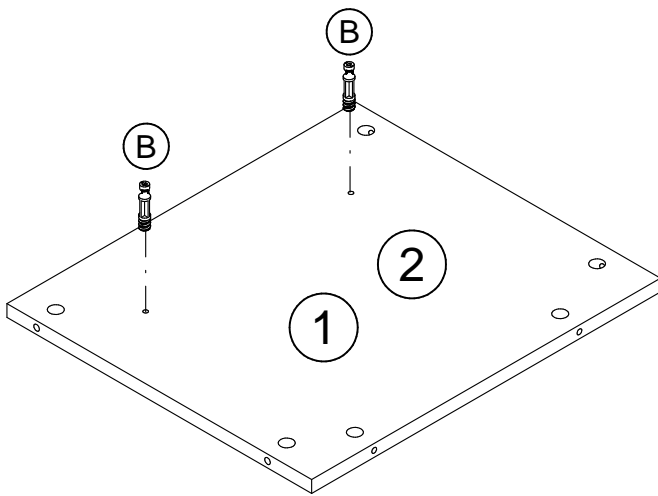
Step 1: Insert the hardware (A) in the taverse (7).

Do NOT use any power tools as this may damage the frame and will invalidate any claim.



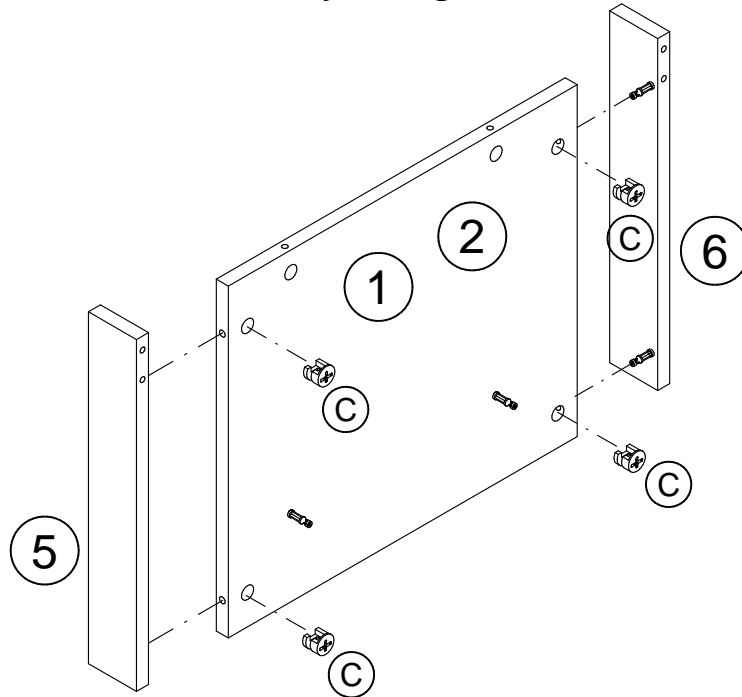
Step 2: Insert the hardware (B) in the parts shown.

Do NOT use any power tools as this may damage the frame and will invalidate any claim.



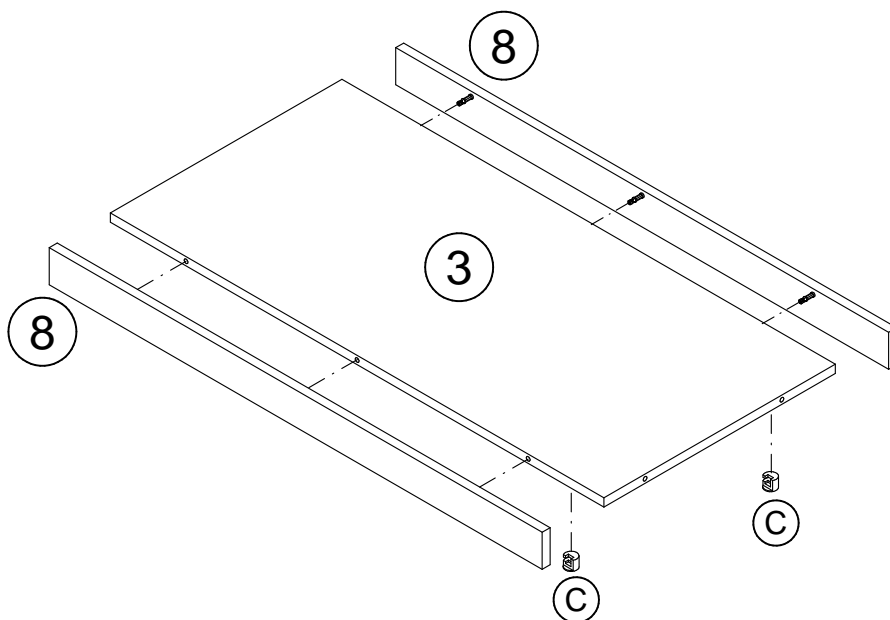
Step 3: Assemble the left column (5) and right column (6) to the right side (1) and left side (2) using hardware (C).

Do NOT use any power tools as this may damage the frame and will invalidate any claim.



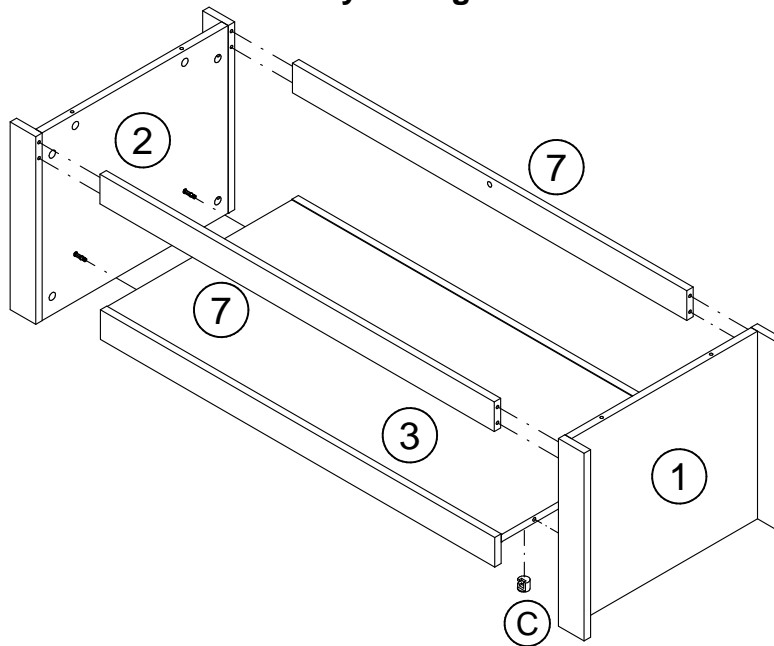
Step 4: Attach the baseboard (8) to the base (3) using hardware (C).

Do NOT use any power tools as this may damage the frame and will invalidate any claim.



Step 5: Attached parts (1,2,3 & 7) together using hardware (C) and (A).

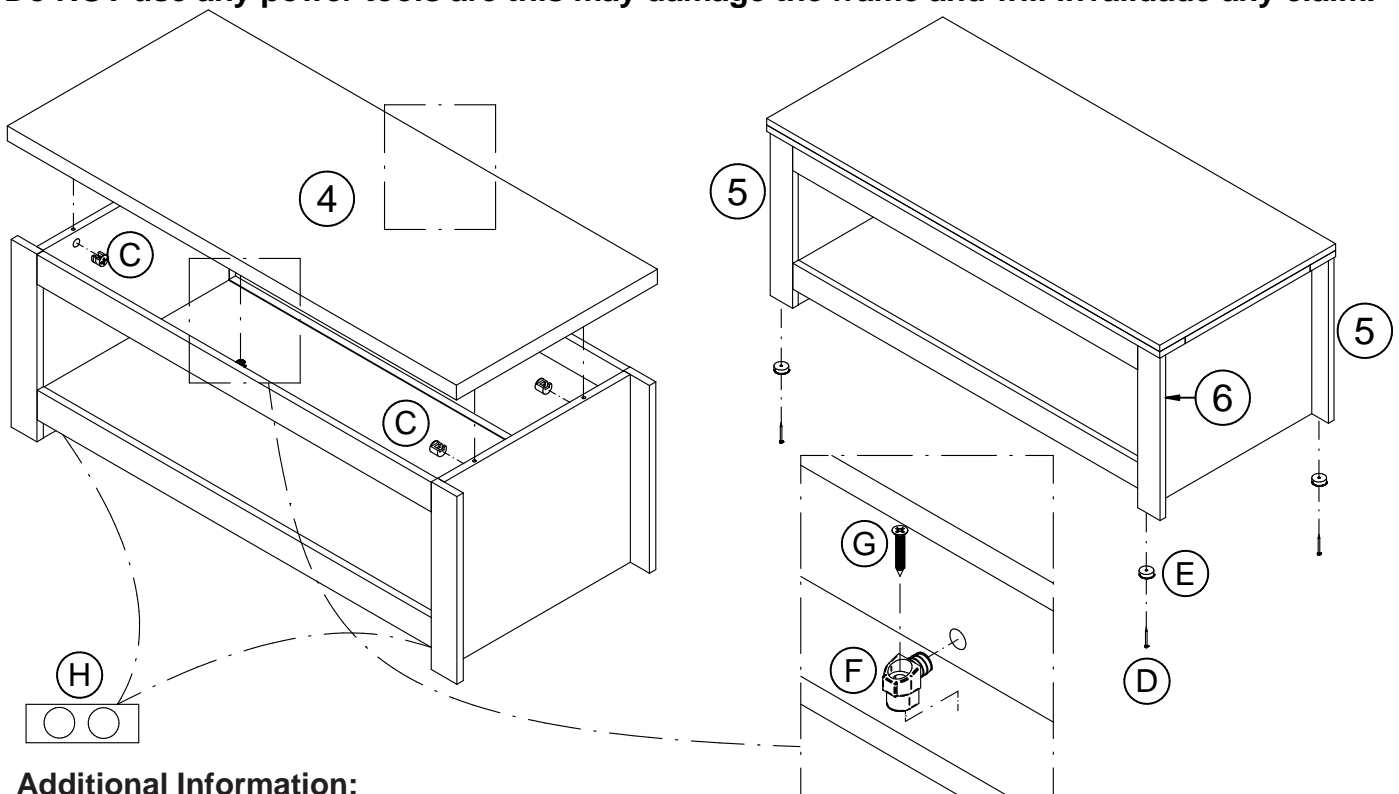
Do NOT use any power tools as this may damage the frame and will invalidate any claim.



Step 6: Insert hardware (F) and (G) to the traverse (7) as shown below. Fix the top (4) to the assembled frame using hardware (C). Then fix the hardware (E) and (D) to the bottom of parts (5) and (6).

Insert hardware (H) over the holes show below.

Do NOT use any power tools as this may damage the frame and will invalidate any claim.



Additional Information:

- For complete product information, images and dimension diagrams please visit the website www.birlea.com
- If you have any issues with your item please contact the retailer directly you purchased it from who will be able to resolve any issues with Birlea.
- Why don't you send us photos of your assembled furniture to info@birlea.com to be shared in our #birleahome feature on Instagram.