



Birlea

Suppliers of inspiration

Assembly Instructions

Thank you for
purchasing a
Birlea product.

For a chance to win a *Love 2 Shop* voucher simply post a picture of your new product on your preferred social channels tagging Birlea Furniture and using the hashtag **#ShareYourStyle** and **#Birlea**. One winner will be selected at random each month.

To view our full terms and conditions please visit our website. www.birlea.com

Are you happy with your purchase?

Yes: That's great, we would love to hear more from you. Please leave us a review on our social media channels or Trustpilot. Your feedback will be greatly appreciated.

No: If for any reason there is something missing, indifferent or incorrect with your order, please contact the retailer you purchased the item from. We will work with the retailer to resolve your issue as quickly as possible.



www.birlea.com

ASSEMBLY INSTRUCTIONS

WINCHESTER 3 DOOR 2 DRAWER SIDEBOARD

IMPORTANT: READ THESE INSTRUCTIONS CAREFULLY BEFORE ASSEMBLING OR USING YOUR WINCHESTER 3 DOOR 2 DRAWER SIDEBOARD.

PLEASE KEEP THESE INSTRUCTIONS FOR FUTURE REFERENCE.

HEALTH & SAFETY:

DO NOT use this item if any parts are missing, damage or worn.

DO NOT use this item unless all fixings are secured.

Please keep small parts out of reach of children. Always use on a level, even surface.

It is recommended that two people handle and assemble the item.

Birlea advise you use the wall straps provided to further enhance the safety of this product.

CARE & MAINTENANCE:

Assemble in the room of use.

To avoid damages assemble the item on a soft, clean surface. Periodically check all screws & fixings to ensure they are secure. DO NOT push the item as this will damage the base.

Always lift the item with two people to reposition. Keep any sharp objects away from the item.

This product is manufactured in pine which is a wood with natural characteristics including knots, grains, clusters or indentations.

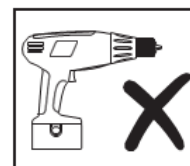
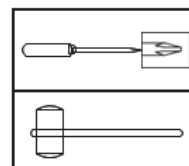
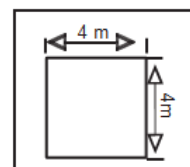
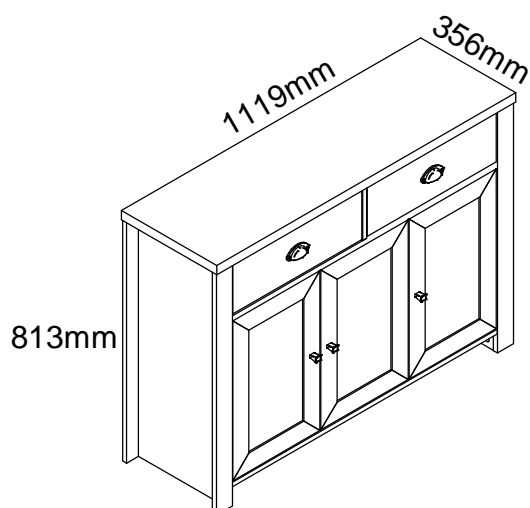
On unpacking the item you may notice an odour due to production processes but this will disappear after a period of time.

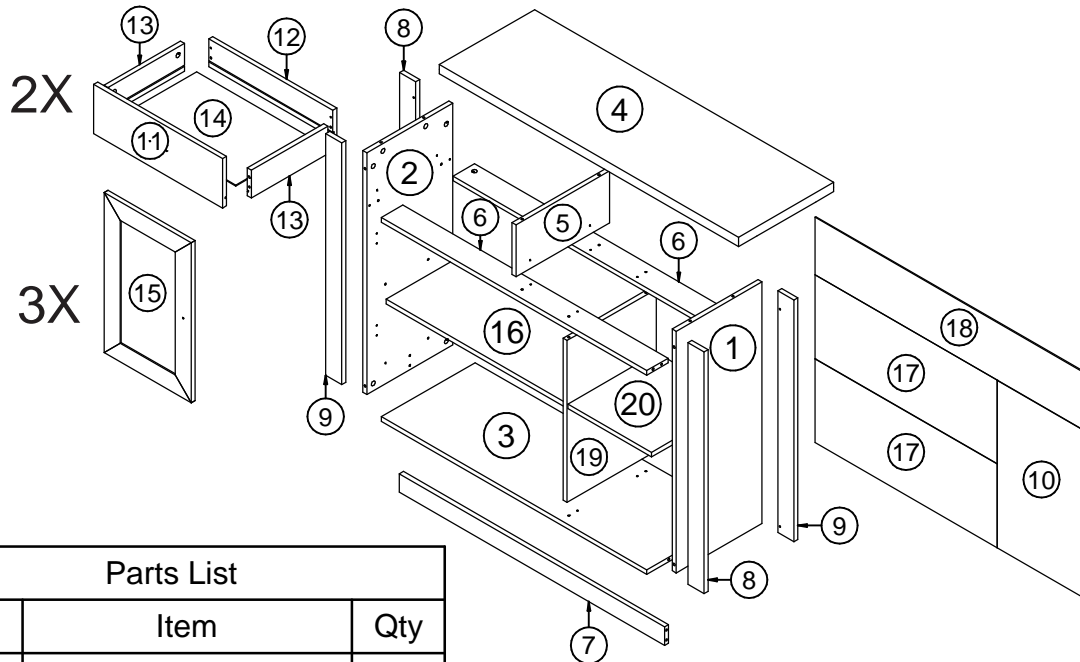
DO NOT place the item next to a radiator or direct sunlight – this item is susceptible to temperature change. It is recommended an even room temperature be maintained with no sudden fluctuations.

DO NOT place hot or cold items directly onto the surface of the item as marking will occur

For general cleaning use a duster or damp cloth (almost dry) not wet - do not use soap and water, detergents, aerosol sprays or any polish as use of these would invalidate any claims.

DO NOT place the item onto wet or damp flooring as staining may occur to the floor.

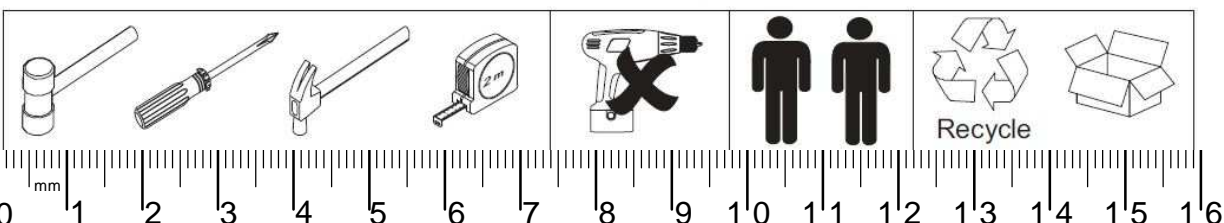




Parts List		
Part	Item	Qty
1	Right Side	1
2	Left Side	1
3	Base	1
4	Top	1
5	Division	1
6	Traverse	2
7	Baseboard	1
8	Right Column	2
9	Left Column	2
10	Back	1
11	Drawer Front	2
12	Drawer Back	2
13	Drawer Side	4
14	Drawer Bottom	2
15	Door	3
16	Shelf	1
17	Larger Back	2
18	Upper Back	1
19	Larger Division	1
20	Smaller Shelf	1

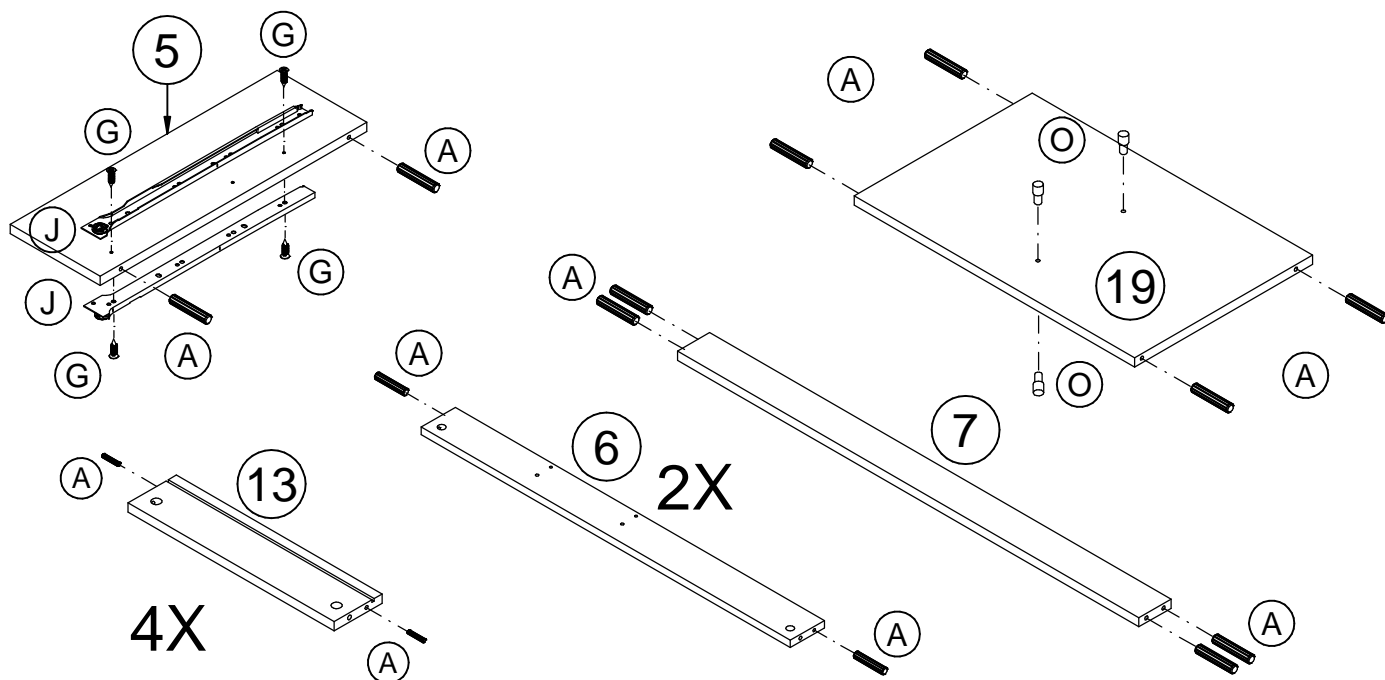
Hardware List			
Part	Item		Qty
A	Wooden Dowel		22
B	Cam Bolt		30
C	Cam Lock		30
D	Tack		60
E	Slip Shoe		5
F	40mm Screw		6
G	14mm Screw		44
H	Sticker		2
I	Handle		5
J	Side Slide		2
K	Drawer Slide		2
L	Safety Strap		1
M	25mm Screw		3
N	Hinge		6
O	Shelf Support		8
P	Back Profile		1
Q	Silicone Stop		3

** You will need a small mallet and a screwdriver.



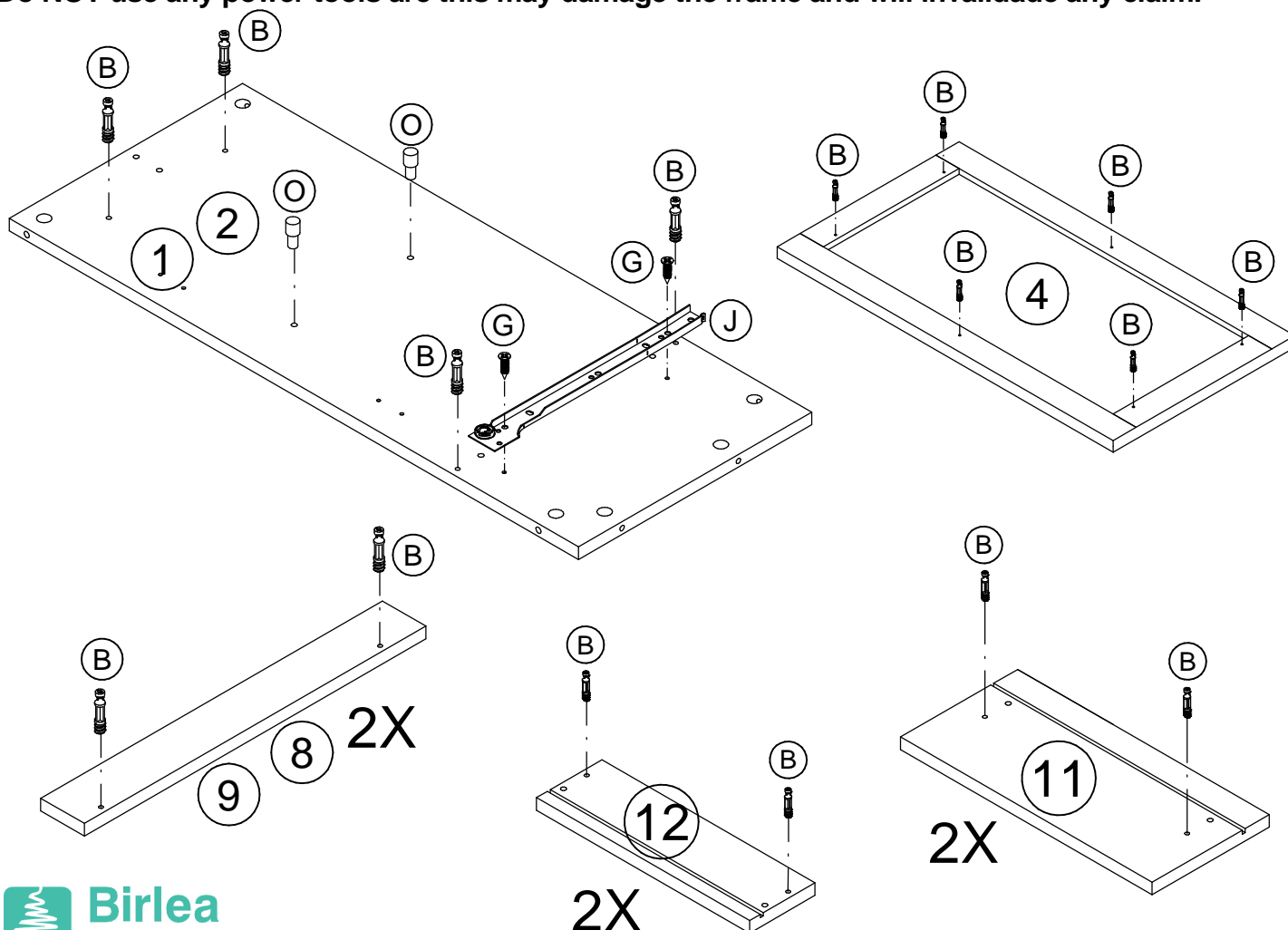
Step 1: Insert the hardware (A) into the division (5), traverse (6), drawer side (13), baseboard (7) and larger division (19). Then attach hardware (J) to the division (5) using hardware (G) and fix hardware (O) in the larger division (19).

Do NOT use any power tools as this may damage the frame and will invalidate any claim.



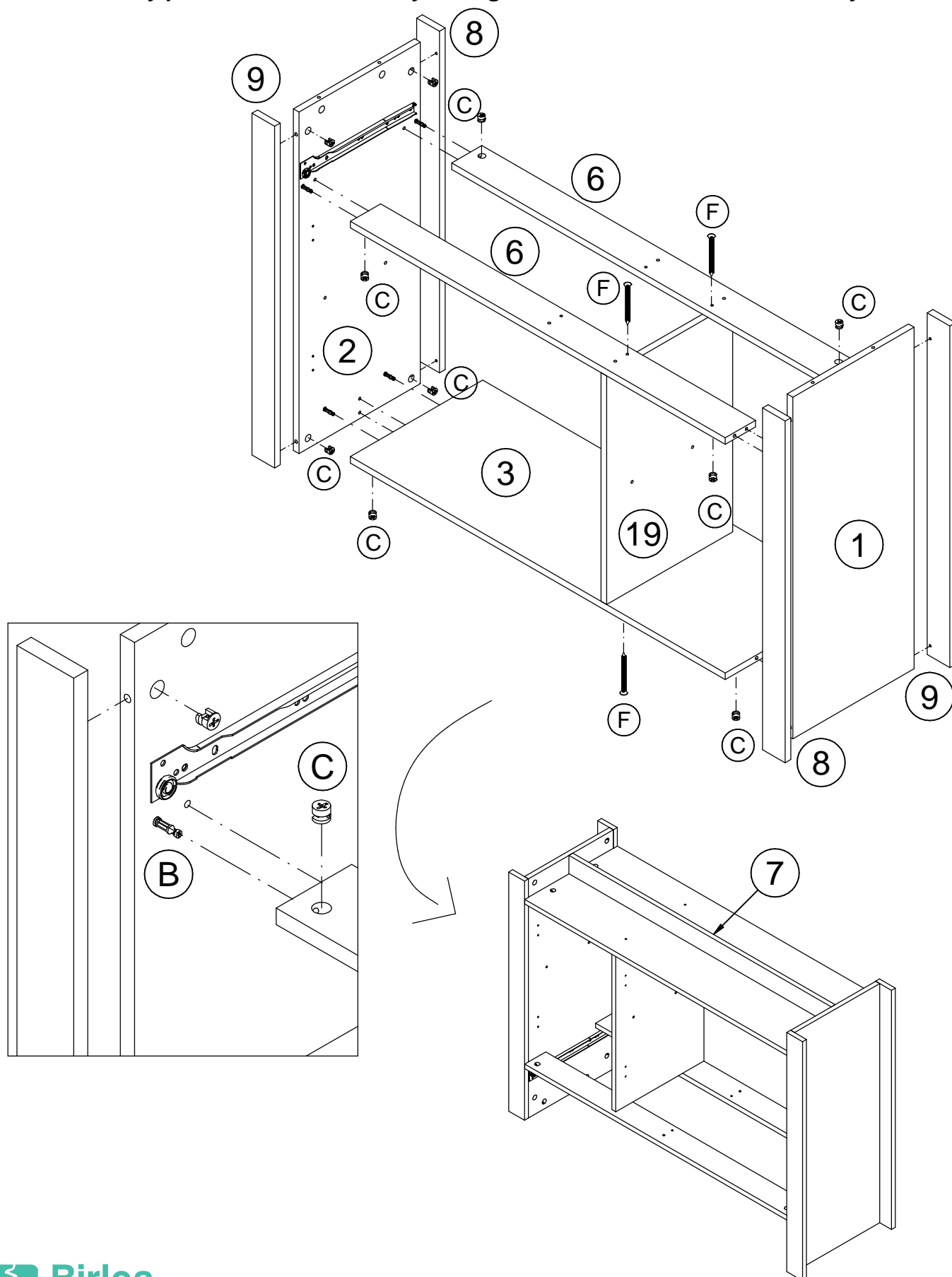
Step 2: Insert the hardware (B) in the right side (1), left side (2), top (4), right column (8), left column (9), drawer back (12) and drawer front (11). Then attach hardware (J) to the right side (1) and left side (2) using hardware (G) and fix hardware (O) in the right side (1) and left side (2).

Do NOT use any power tools as this may damage the frame and will invalidate any claim.

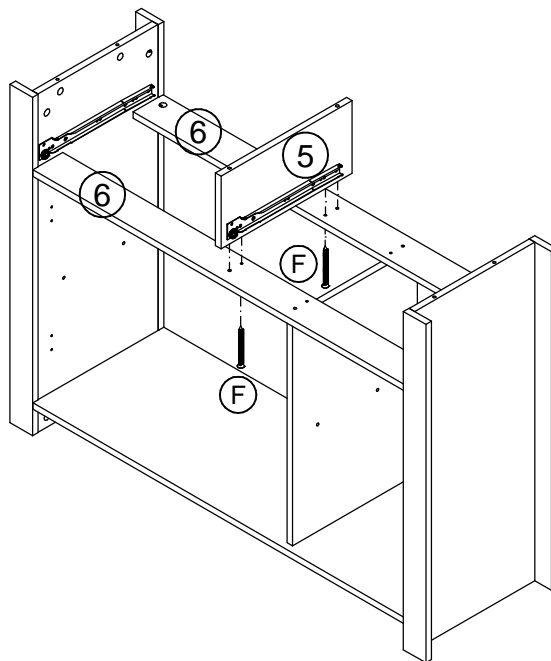


Step 3: Attach the right column (8), left column (9), traverse (6), and the base (3) to the right side (1) and left side (2) using hardware (C) Then attach baseboard (7) to the bottom of the base (3), and attach larger division (19) to the base (3) and traverse (6) using hardware (F), (A) and screwdriver (not provided).

Do NOT use any power tools as this may damage the frame and will invalidate any claim.

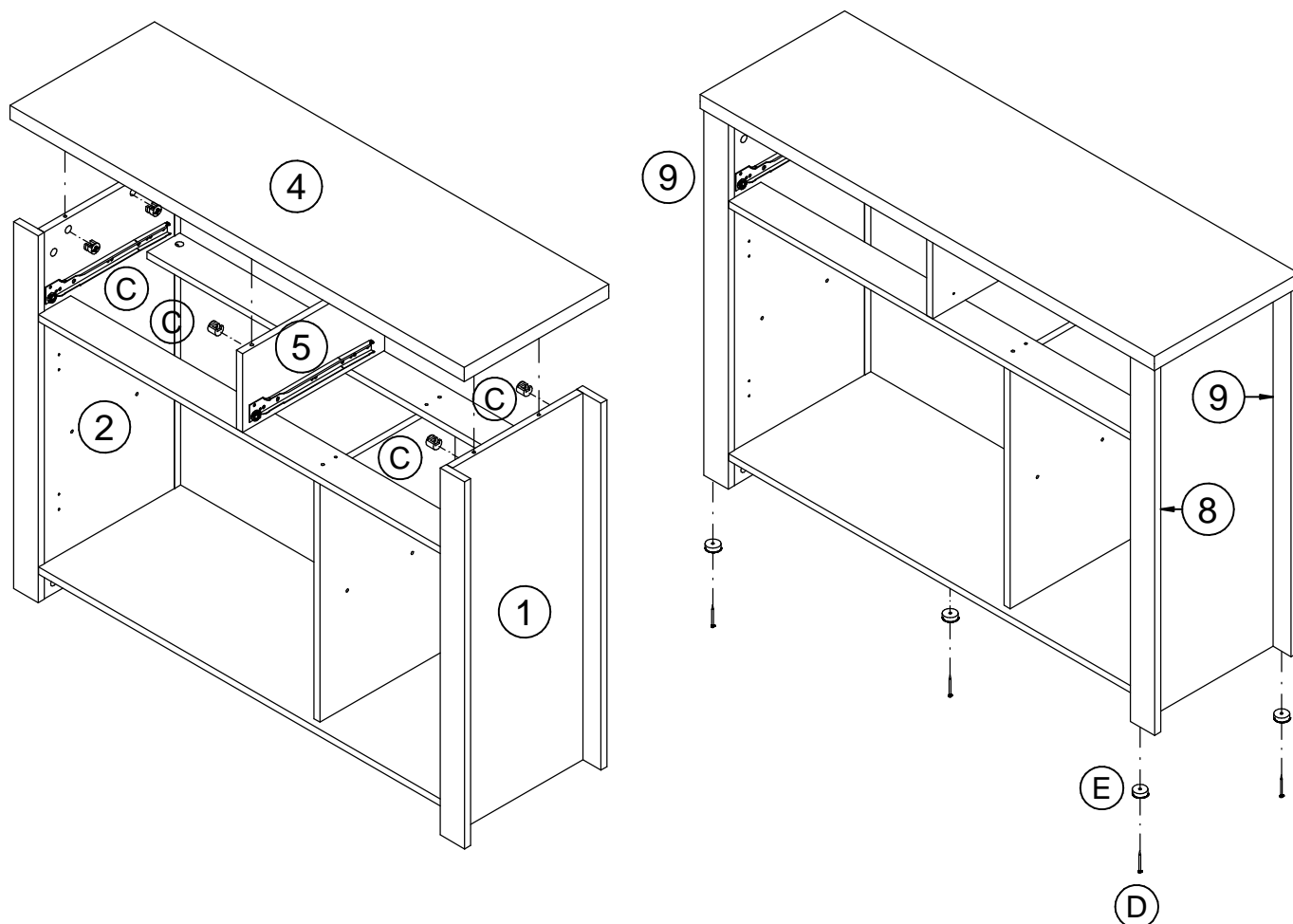


Step 4: Fix the division (5) to the traverse (6) using hardware (F), (A) and screwdriver (not provided).
Do NOT use any power tools as this may damage the frame and will invalidate any claim.



Step 5: Attach the top (4) using hardware (C). Then attach hardware (E) and (D) to the bottom of the right column (8), left column (9) and baseboard (7).

Do NOT use any power tools as this may damage the frame and will invalidate any claim.

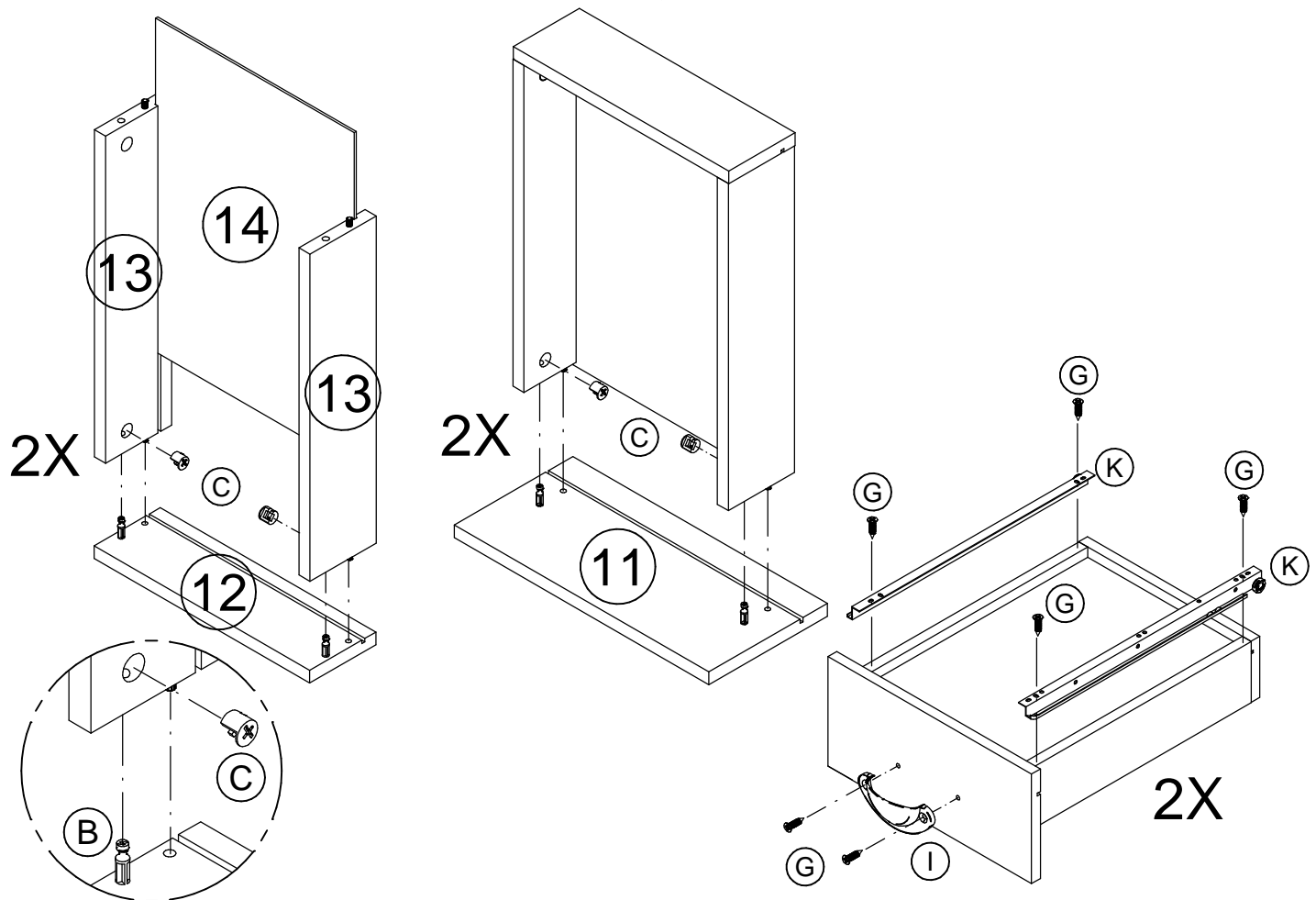


Step 6: Attach the drawer side (13) to the drawer back (12) using hardware (C) then insert the drawer bottom (14).

Attach the drawer front (11) to the drawer side (13) using hardware (C). Then attach hardware (K) onto the drawer side (13) using hardware (G).

Attach hardware (I) to the drawer front (11) using hardware (G).

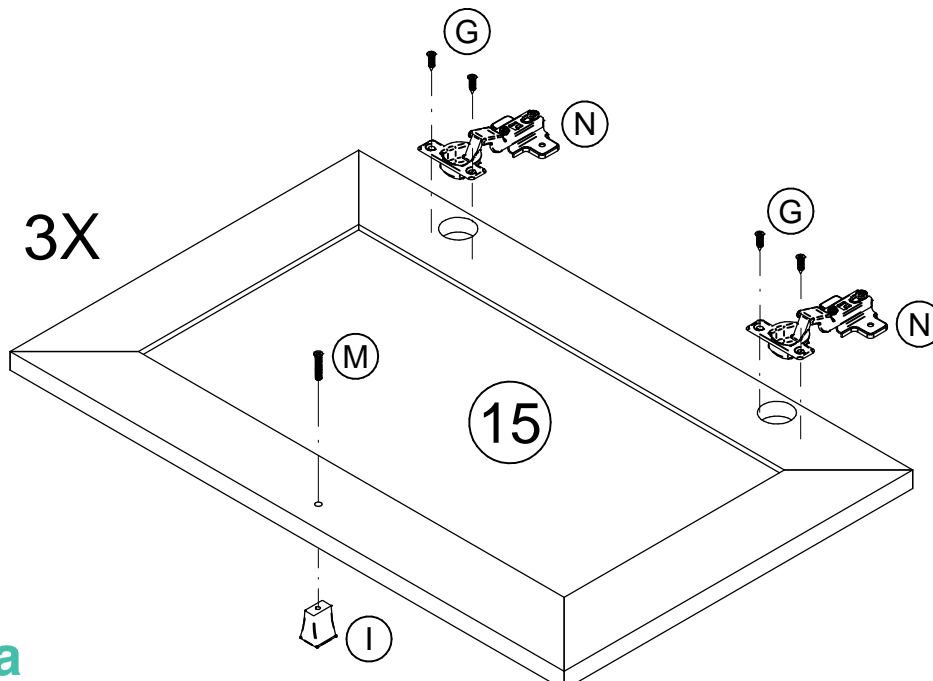
Do NOT use any power tools as this may damage the frame and will invalidate any claim.



Step 7: Attach hardware (N) to the door (15) using hardware (G).

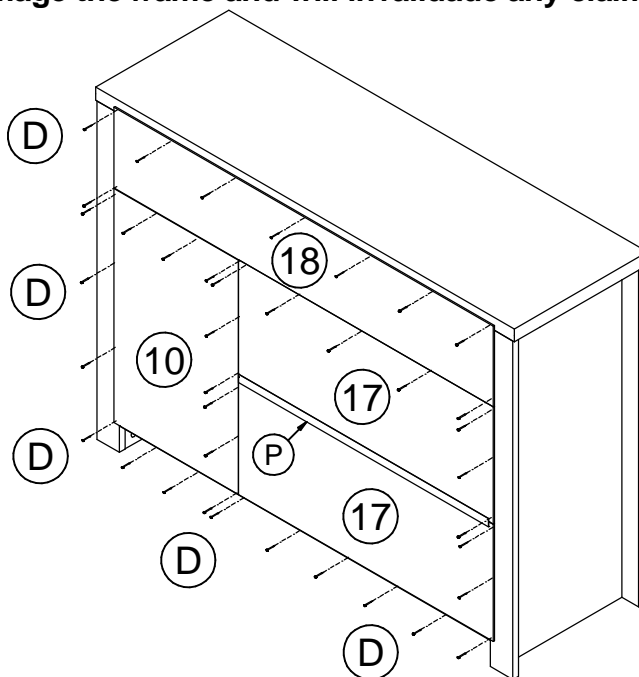
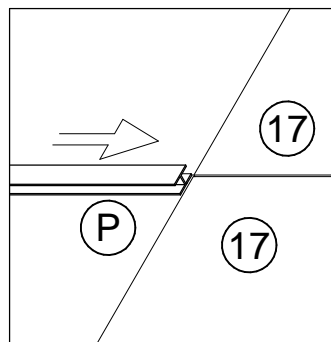
Attach hardware (I) to the door (15) using hardware (M).

Do NOT use any power tools as this may damage the frame and will invalidate any claim.



Step 8: Attach the back (10), larger back (17) and upper back (18) to the back of the assembled product using hardware (D) and combining them using hardware (P).

Do NOT use any power tools as this may damage the frame and will invalidate any claim.

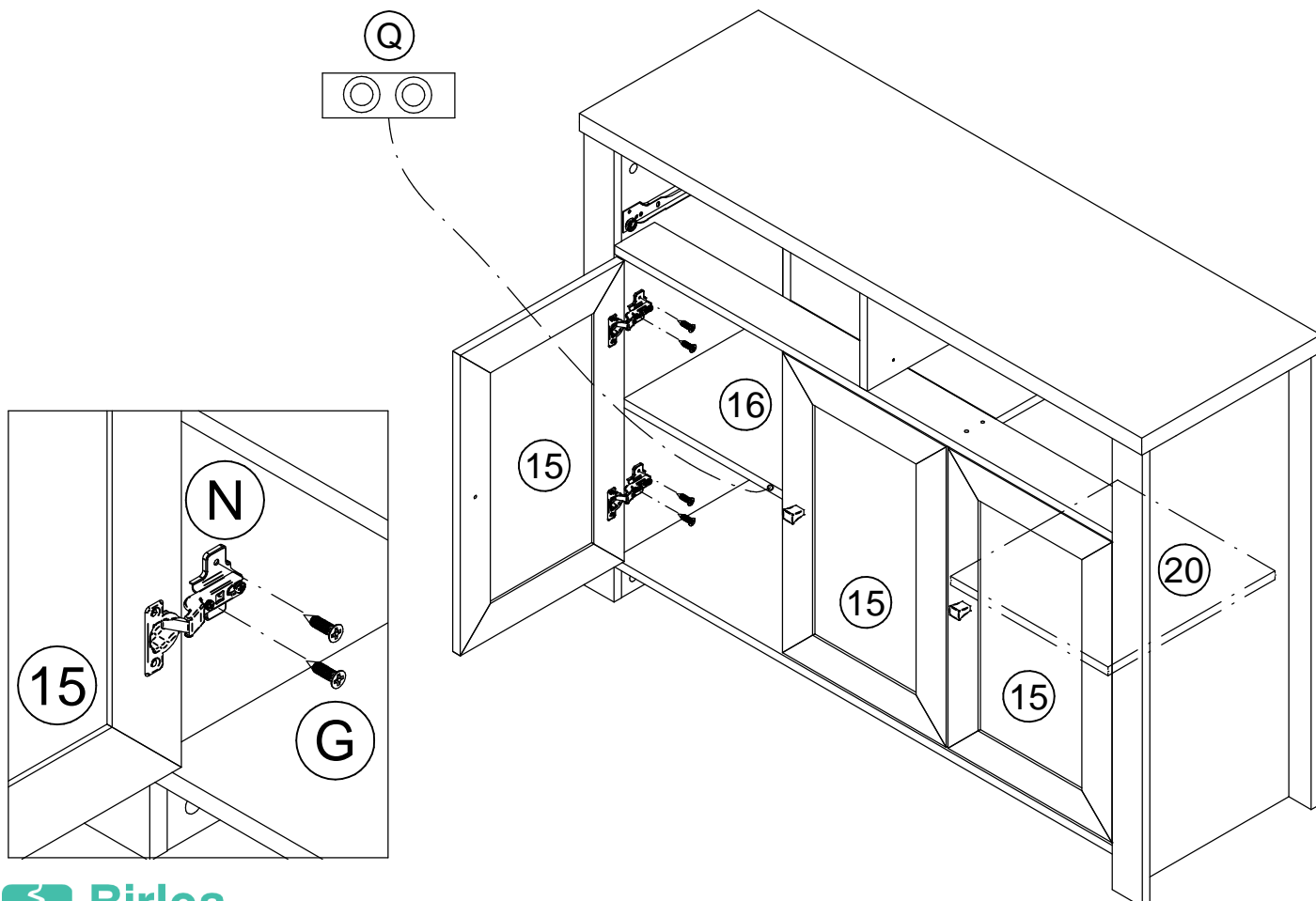


Step 9: Fix the door (15) in the right side (1), larger division (19) and left side (2) using hardware (G) and (N).

Insert the shelf (16) and smaller shelf (20) inside the product, above the hardware (O).

Insert hardware (Q) in the shelf (16) and smaller shelf (20) to hit the door (15).

Do NOT use any power tools as this may damage the frame and will invalidate any claim.



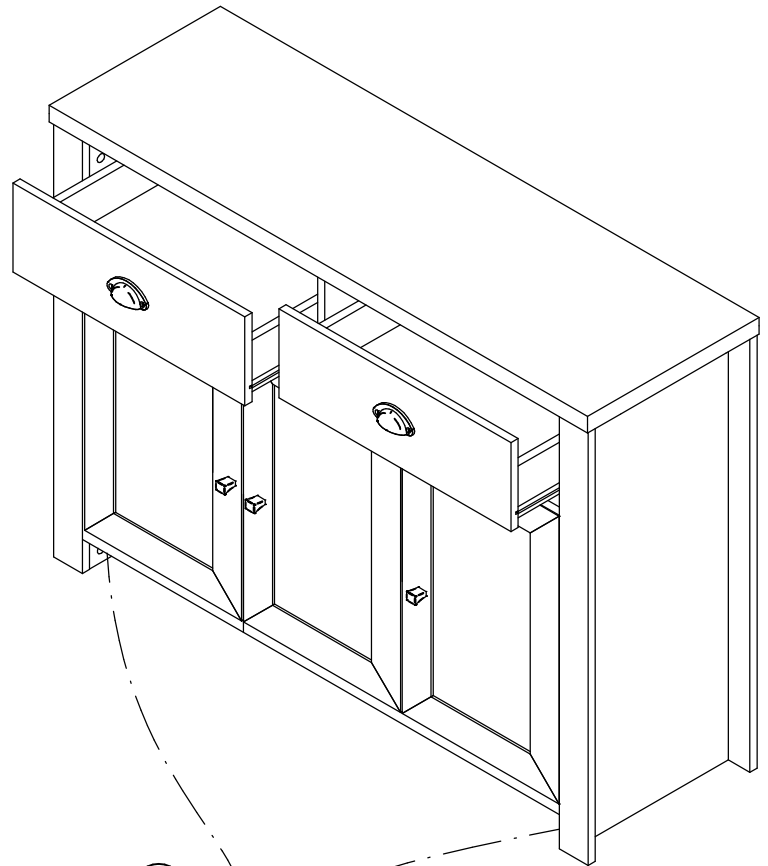
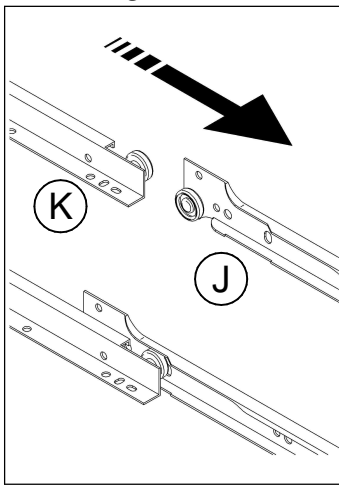
Step 10: Insert the drawers as shown below.

Insert the hardware (H) into the apparent holes.

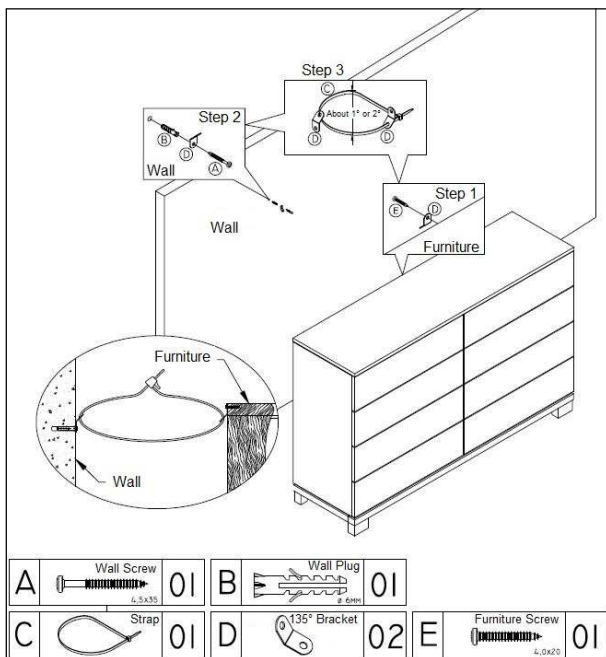
Attach the safety strap (L) to the back of the sideboard and wall following the diagram.

Do NOT use any power tools as this may damage the frame and will invalidate any claim.

Inserting the Drawers



(L) Safety Strap



Additional Information:

- For complete product information, images and dimension diagrams please visit the website www.birlea.com
- If you have any issues with your item please contact the retailer directly you purchased it from who will be able to resolve any issues with Birlea.
- Why don't you send us photos of your assembled furniture to info@birlea.com to be shared in our #birleahome feature on Instagram.