



# Birlea

Suppliers of inspiration

## Assembly Instructions

---

Thank you for  
purchasing a  
Birlea product.

For a chance to win a *Love 2 Shop* voucher simply post a picture of your new product on your preferred social channels tagging Birlea Furniture and using the hashtag **#ShareYourStyle** and **#Birlea**. One winner will be selected at random each month.

To view our full terms and conditions please visit our website. [www.birlea.com](http://www.birlea.com)

---

### Are you happy with your purchase?

**Yes:** That's great, we would love to hear more from you. Please leave us a review on our social media channels or Trustpilot. Your feedback will be greatly appreciated.

**No:** If for any reason there is something missing, indifferent or incorrect with your order, please contact the retailer you purchased the item from. We will work with the retailer to resolve your issue as quickly as possible.



[www.birlea.com](http://www.birlea.com)

## ASSEMBLY INSTRUCTIONS

### WINCHESTER 2 DRAWER CONSOLE TABLE

**IMPORTANT: READ THESE INSTRUCTIONS CAREFULLY BEFORE ASSEMBLING OR USING YOUR WINCHESTER 2 DRAWER CONSOLE TABLE.**

**PLEASE KEEP THESE INSTRUCTIONS FOR FUTURE REFERENCE.**

#### **HEALTH & SAFETY:**

DO NOT use this item if any parts are missing, damage or worn.

DO NOT use this item unless all fixings are secured.

Please keep small parts out of reach of children. Always use on a level, even surface.

It is recommended that two people handle and assemble the item.

Birlea advise you use the wall straps provided to further enhance the safety of this product.

#### **CARE & MAINTENANCE:**

Assemble in the room of use.

To avoid damages assemble the item on a soft, clean surface Periodically check all screws & fixings to ensure they are secure. DO NOT push the item as this will damage the base.

Always lift the item with two people to reposition. Keep any sharp objects away from the item.

This product is manufactured in pine which is a wood with natural characteristics including knots, grains, clusters or indentations.

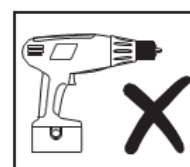
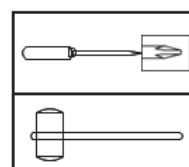
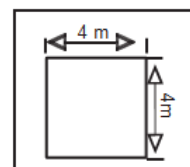
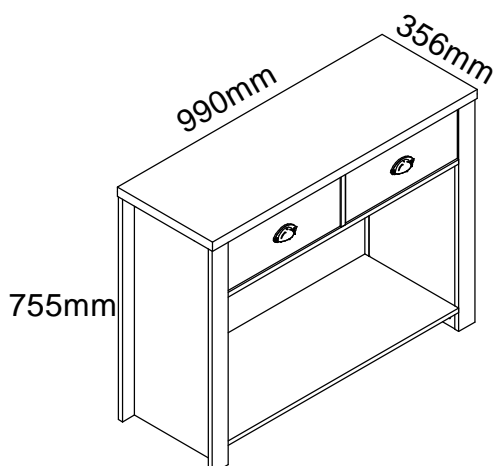
On unpacking the item you may notice an odour due to production processes but this will disappear after a period of time.

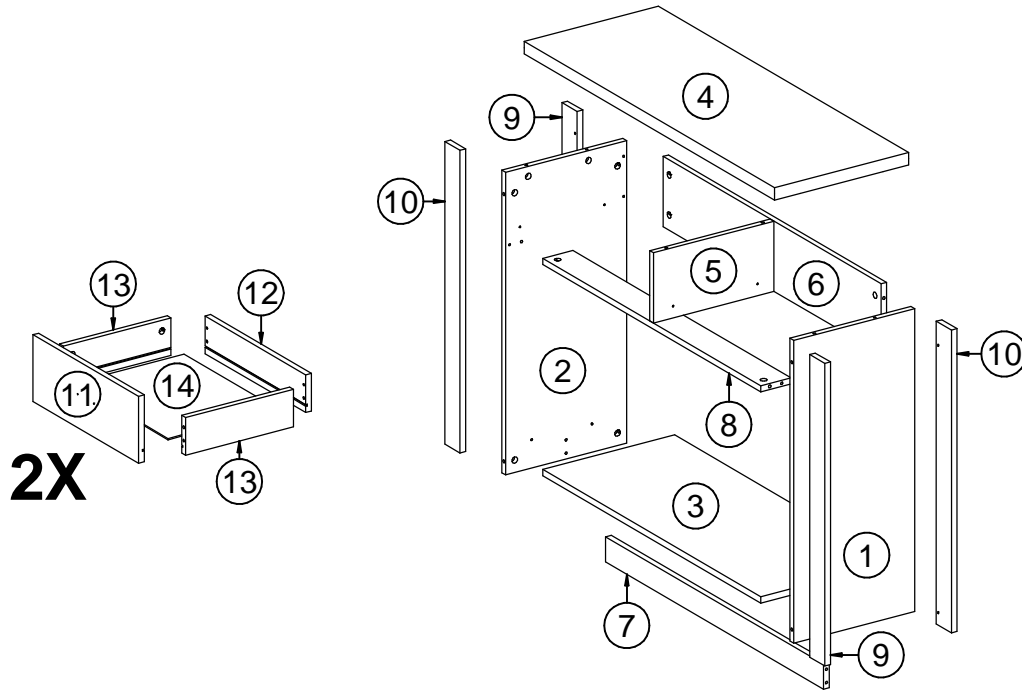
DO NOT place the item next to a radiator or direct sunlight – this item is susceptible to temperature change. It is recommended an even room temperature be maintained with no sudden fluctuations.

DO NOT place hot or cold items directly onto the surface of the item as marking will occur

For general cleaning use a duster or damp cloth (almost dry) not wet - do not use soap and water , detergents, aerosol sprays or any polish as use of these would invalidate any claims.


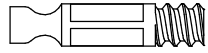

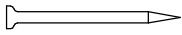





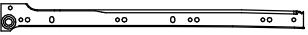
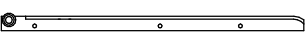
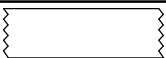
DO NOT place the item onto wet or damp flooring as staining may occur to the floor.



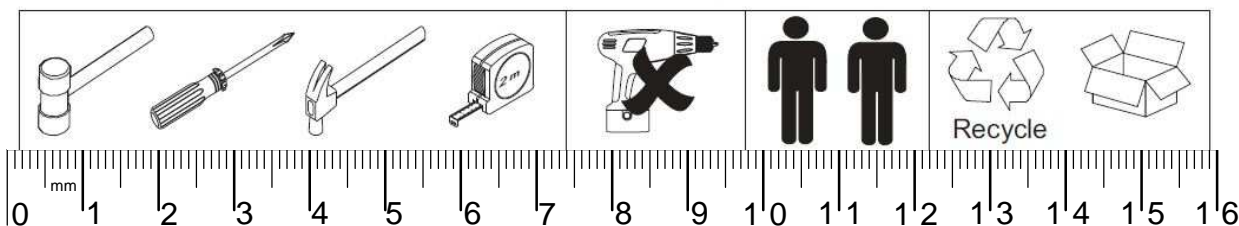


**2X**

Parts List		
Part	Item	Qty
1	Right Side	1
2	Left Side	1
3	Base	1
4	Top	1
5	Division	1
6	Back Traverse	1
7	Baseboard	1
8	Traverse	1
9	Right Column	2
10	Left Column	2
11	Drawer Front	2
12	Drawer Back	2
13	Drawer Side	4
14	Drawer Bottom	2

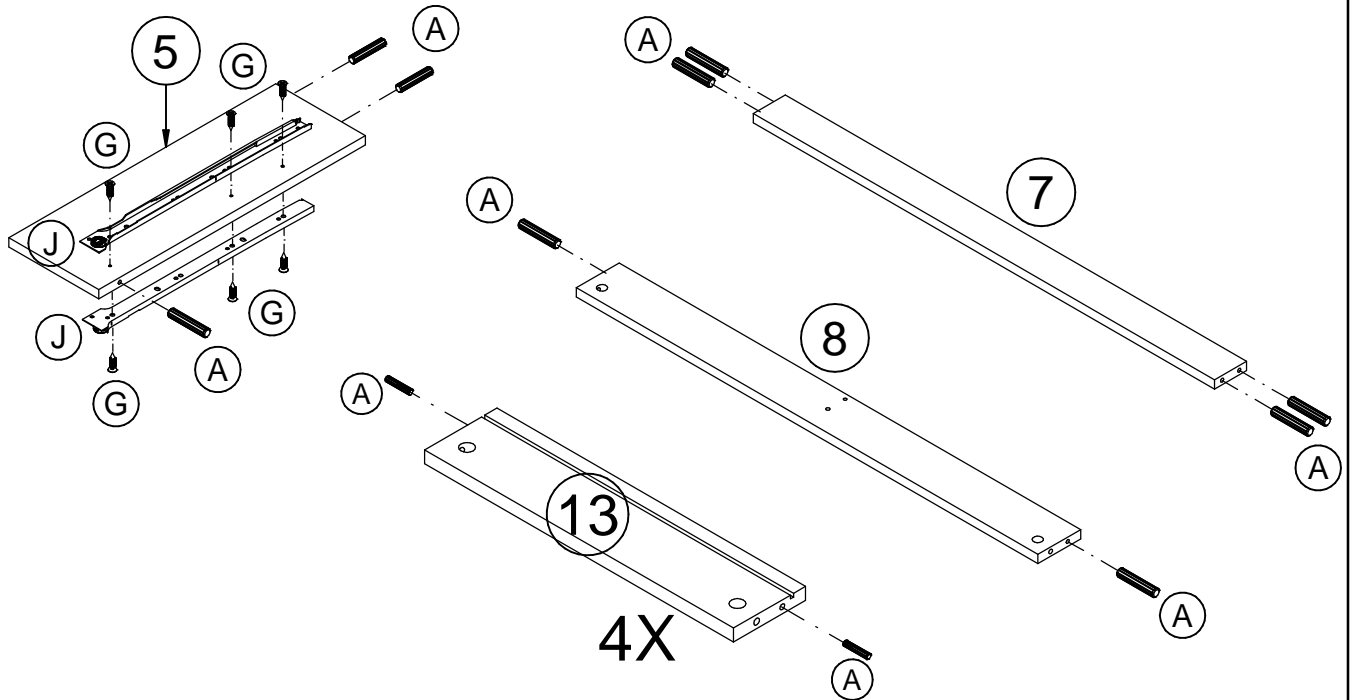
Hardware List		
Part	Item	Qty
A	Wooden Dowel 	18
B	Cam Bolt 	32
C	Cam Lock 	32
D	Tack 	5
E	Slip Shoe 	5
F	40mm Screw 	2
G	14mm Screw 	24
H	Sticker 	5
I	Handle 	2
J	Side Slide 	2
K	Drawer Slide 	2
L	Safety Strap 	1

\*\* You will need a small mallet and a screwdriver.



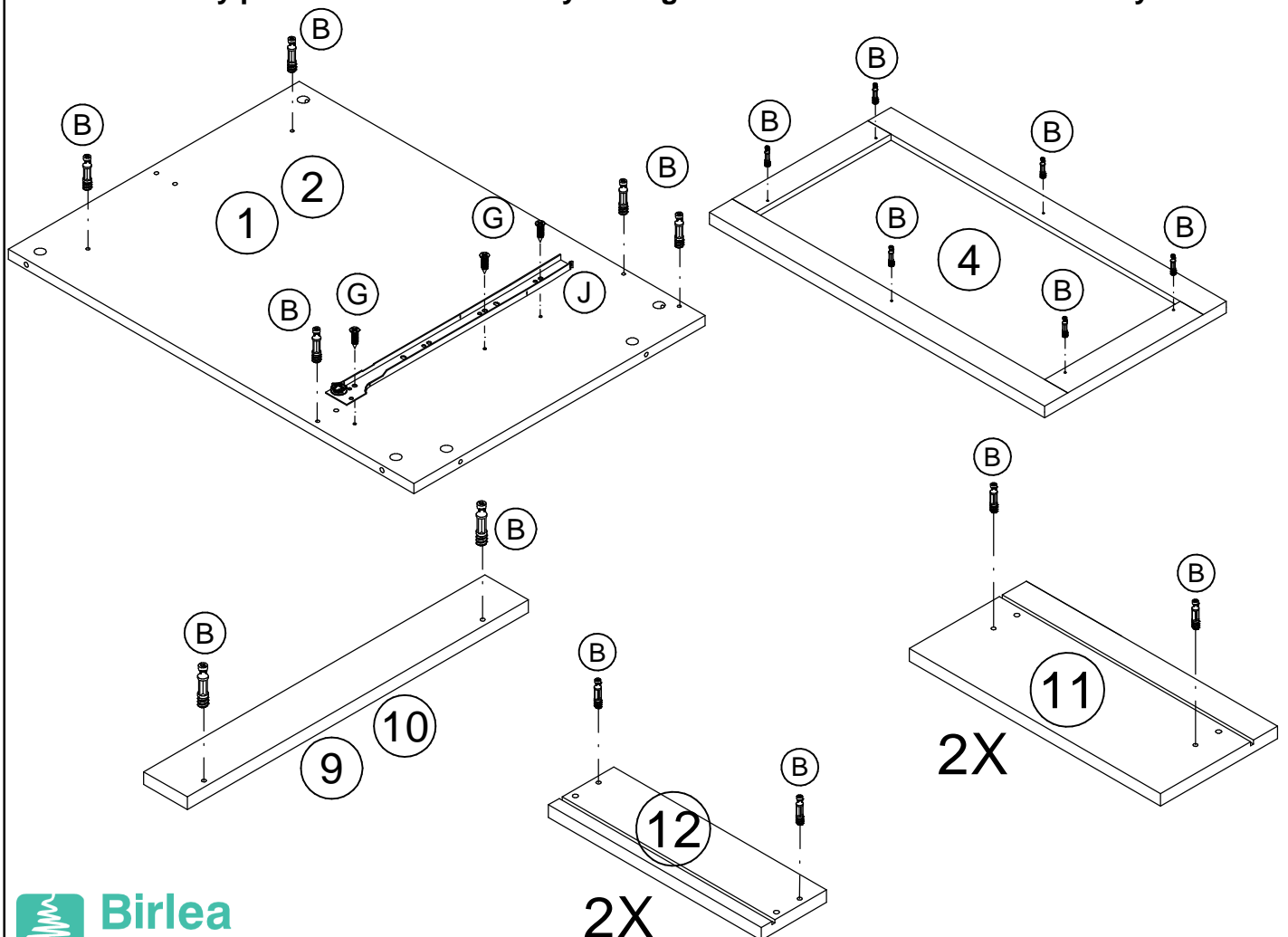
**Step 1:** Insert hardware (A) into the division (5), baseboard (7), traverse (8) and the drawer side (13). Then fix hardware (j) to the division (5) using hardware (G).

**Do NOT use any power tools as this may damage the frame and will invalidate any claim.**



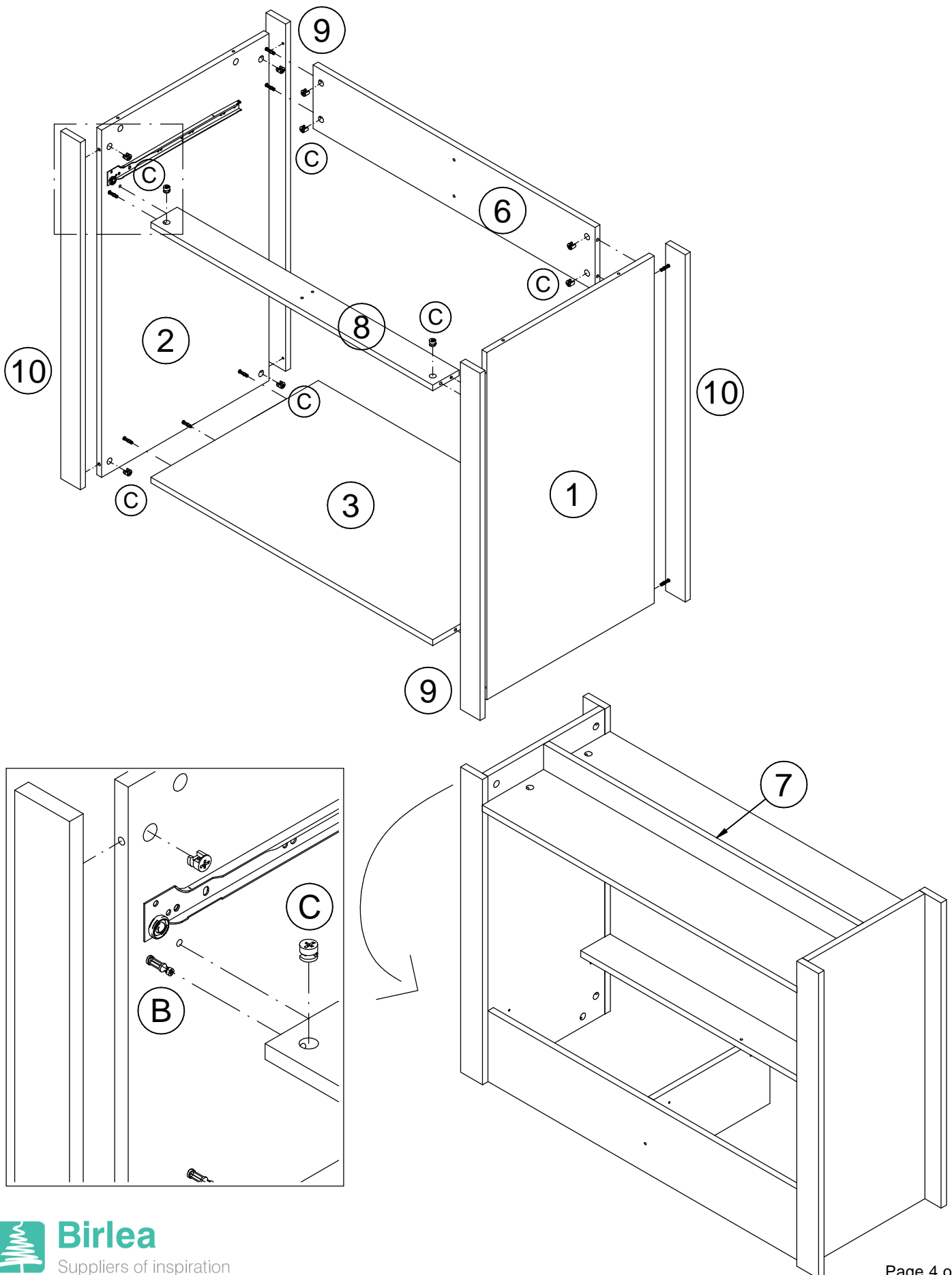
**Step 2:** Insert hardware (B) into right side (1), left side (2), top (4), the right column (9), left column (10), the drawer front (11) and the drawer back (12). Then fix hardware (J) to the right side (1) and left side (2) using hardware (G).

**Do NOT use any power tools as this may damage the frame and will invalidate any claim.**



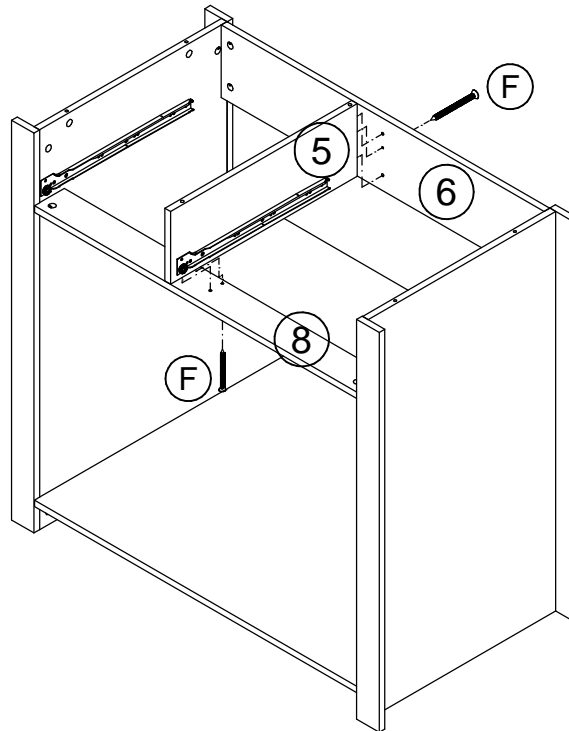
**Step 3:** Attach the right column (9), the back traverse (6), traverse (8), the base (3) and the left column (10) to the right side (1) and left side (2) using hardware (C). Then attach the baseboard (7) to the bottom of the base (3).

**Do NOT use any power tools as this may damage the frame and will invalidate any claim.**



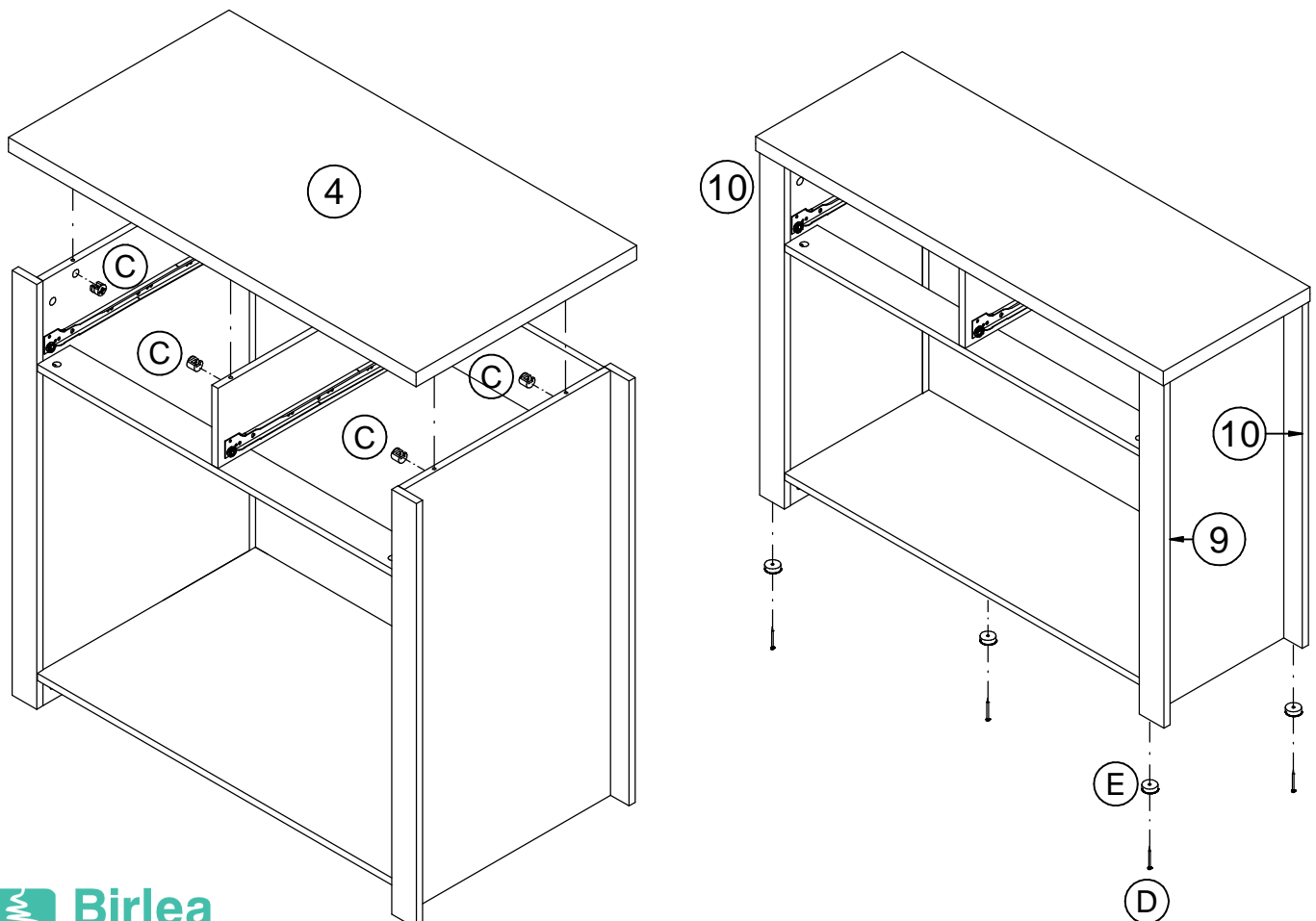
**Step 4:** Attach the division (5) to the back traverse (6) and the traverse (8) using hardware (F) and a screwdriver (not provided).

**Do NOT use any power tools as this may damage the frame and will invalidate any claim.**

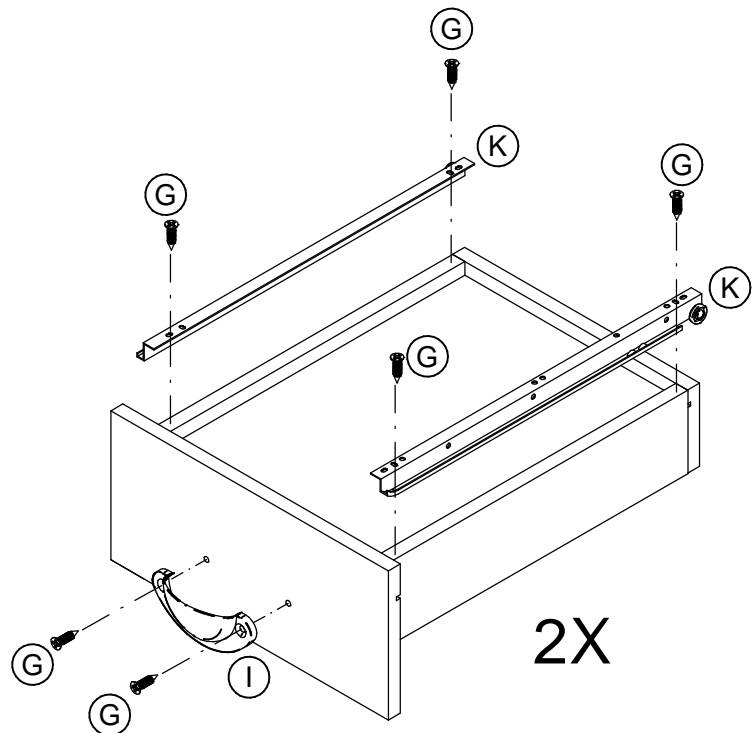
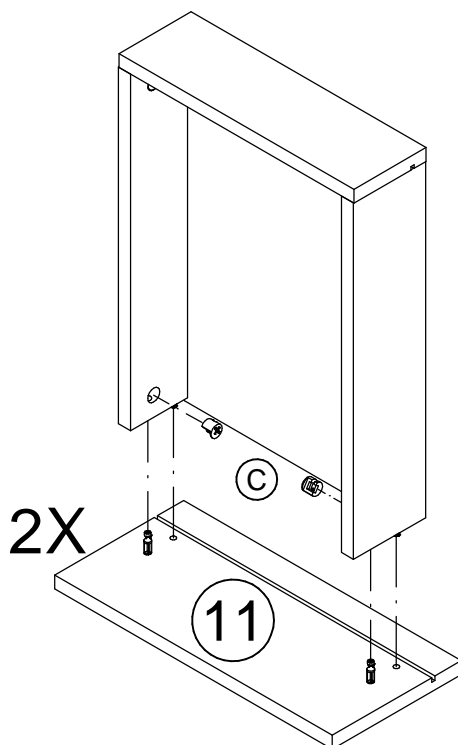
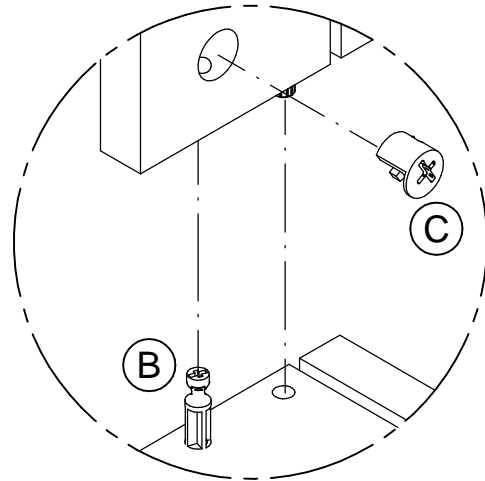
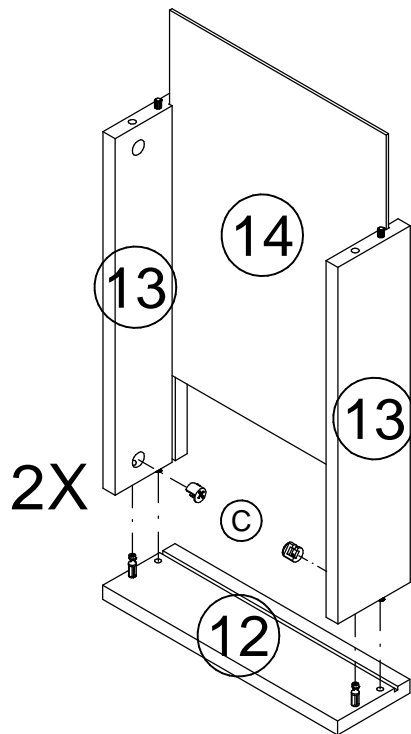


**Step 5:** Attach the top (4) to the assembled console table using hardware (C). Then fix hardware (E) and (D) to the bottom of the right column (9), left column (10) and the baseboard (7).

**Do NOT use any power tools as this may damage the frame and will invalidate any claim.**



**Step 6:** Attach the drawer side (13) to the drawer back (12) using hardware (B) and (C) then insert the drawer back (14) as shown below.  
 Attach the drawer side (13) to the drawer front (11) using hardware (B) and (C) then attach hardware (K) to the drawer side (13) using hardware (G).  
 Attach hardware (I) to the drawer front using hardware (G).  
**Do NOT use any power tools as this may damage the frame and will invalidate any claim.**

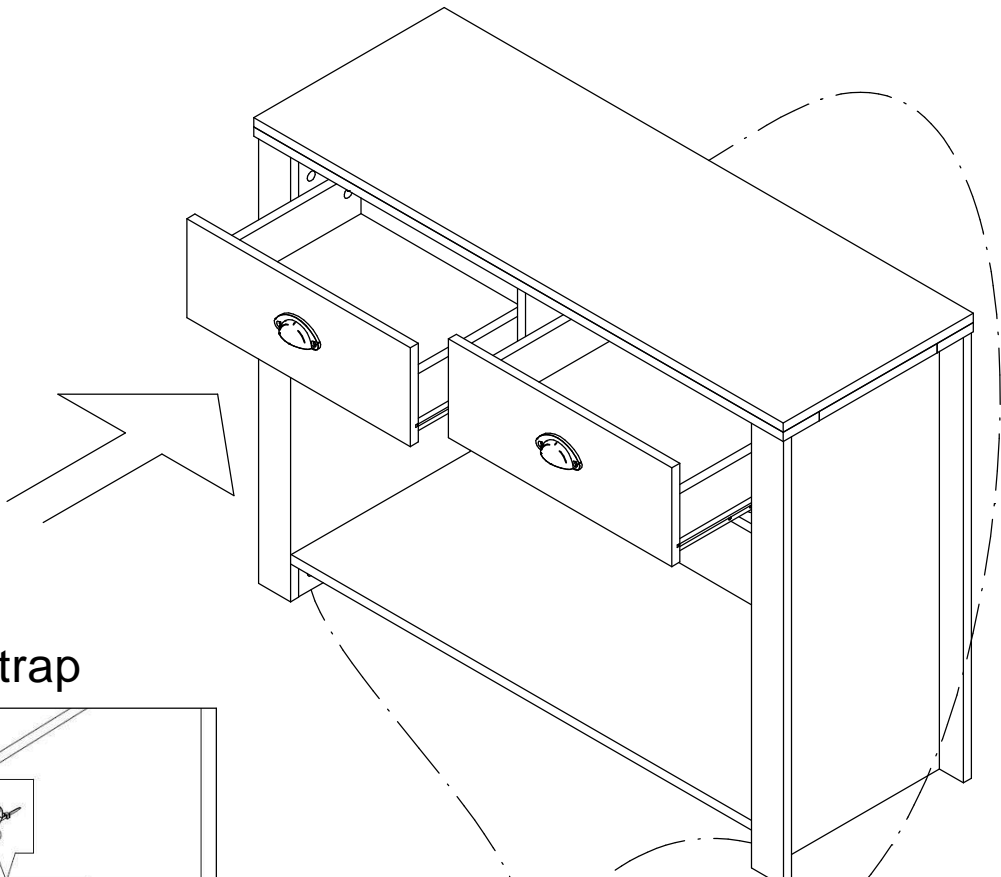
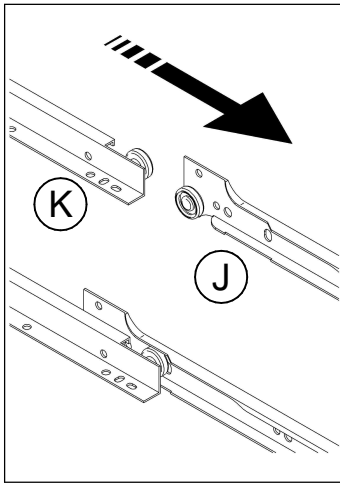


**Step 7:** Insert the drawers as shown below.

Insert the hardware (H) into the apparent holes.

**Do NOT use any power tools as this may damage the frame and will invalidate any claim.**

**Inserting the Drawers**



**(L) Safety Strap**

A	Tomillo Pared 4.5x35	01	B	Taco 8.5mm	01
C	Precinto	01	D	Escuadra	02
E		Tomillo Mueble 4.0x20	01		

Attach the safety strap (L) in the assembly, following the image on the side.

**Additional Information:**

- For complete product information, images and dimension diagrams please visit the website [www.birlea.com](http://www.birlea.com)
- If you have any issues with your item please contact the retailer directly you purchased it from who will be able to resolve any issues with Birlea.
- Why don't you send us photos of your assembled furniture to [info@birlea.com](mailto:info@birlea.com) to be shared in our #birleahome feature on Instagram.