

ASSEMBLY INSTRUCTIONS Valencia 2 Drawer Sideboard

IMPORTANT: READ THESE INSTRUCTIONS CAREFULLY BEFORE ASSEMBLING OR USING YOUR VALENCIA 2 DRAWER SIDEBOARD.

PLEASE KEEP THESE INSTRUCTIONS FOR FUTURE REFERENCE.

HEALTH & SAFETY:

DO NOT use this item if any parts are missing, damaged or worn.

DO NOT use this item unless all fixings are secured.

Please keep small parts out of reach of children.

Always use on a level, even surface.

CARE & MAINTENANCE:

Assemble in the room of use.

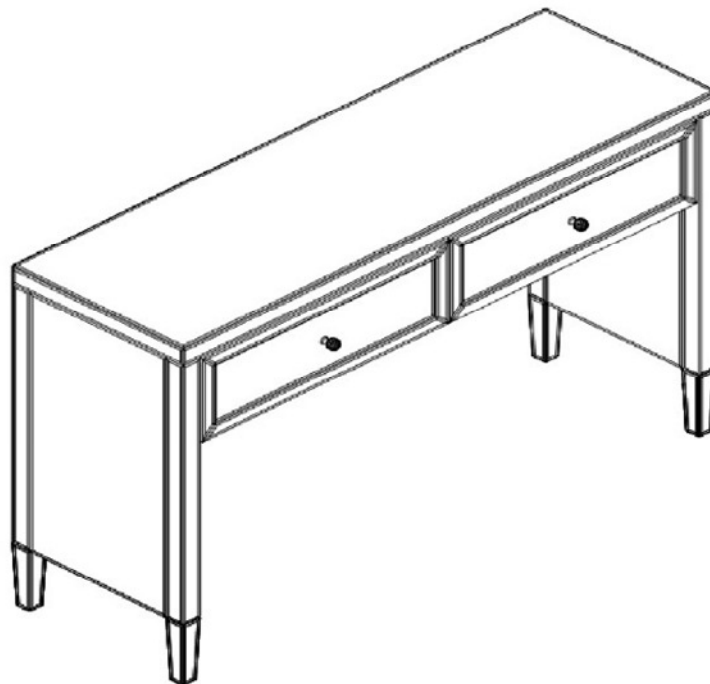
Assemble on a soft, clean surface to prevent damages.

Periodically check all screws & fixings to ensure they are secure.

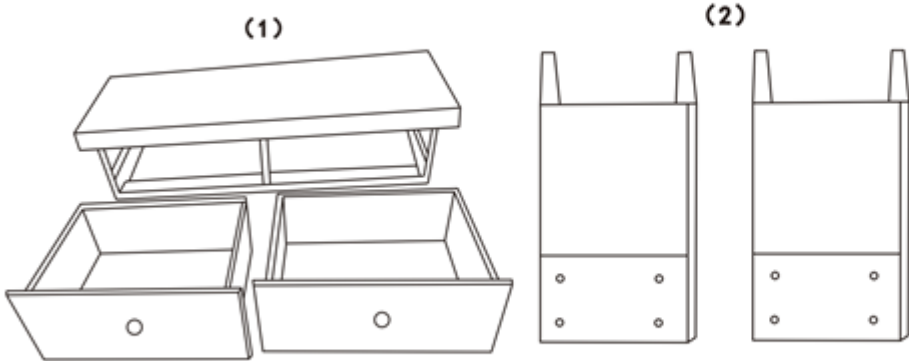




DO NOT push the item as this will damage the legs.

Always lift the item with two people to reposition.

Keep any sharp objects away from the frame.

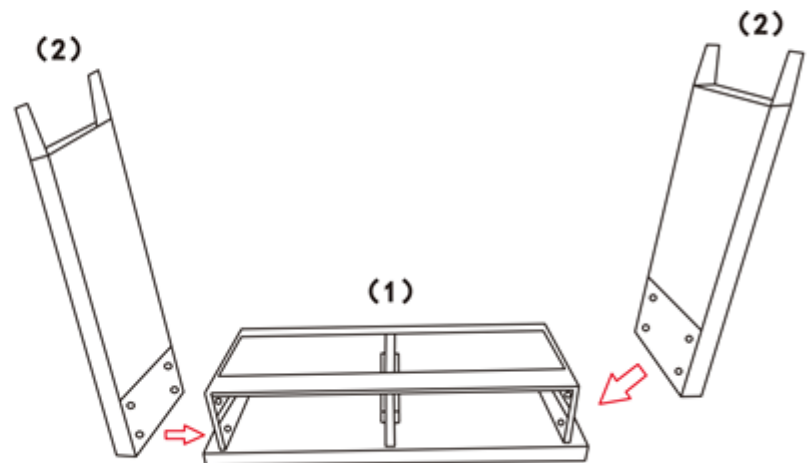


Component parts and fittings
contained in the box

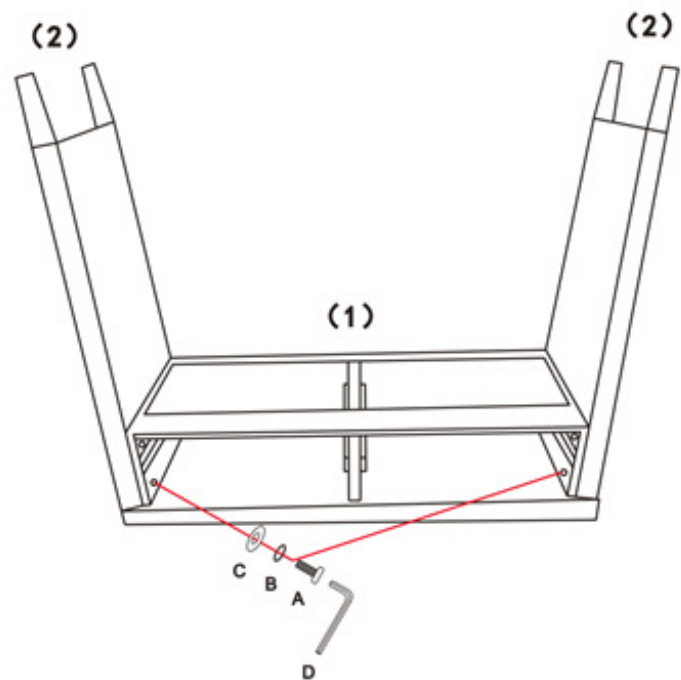
Parts	Fittings
	<p>A  M8 x 8pcs</p> <p>B  spring washer x 8pcs</p> <p>C  washer x8pcs</p> <p>D  5mm Allen key × 1PCS</p>

Assembly

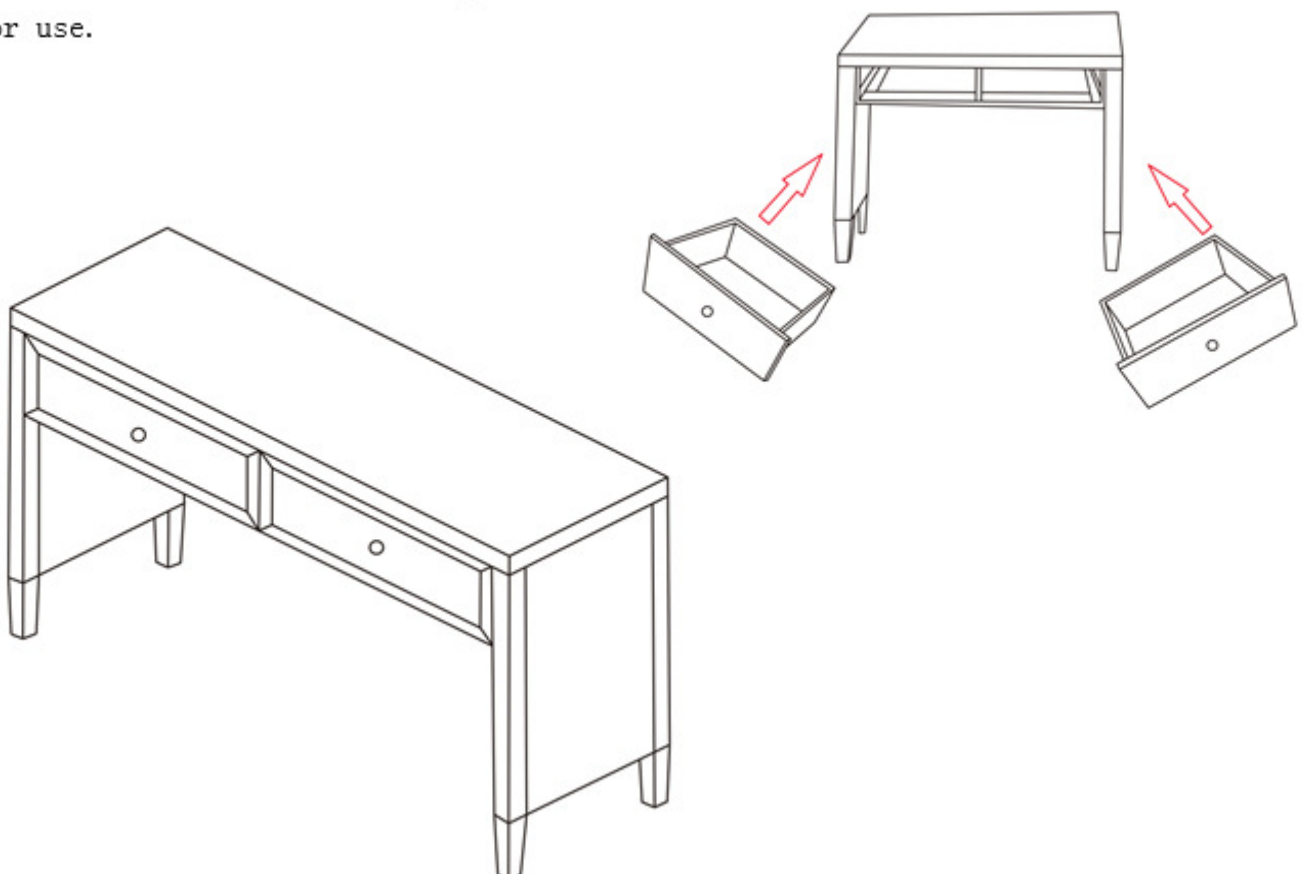
1. place cushion (1) upside down on carpet, insert legs (2) in slots on cushion, ensure the holes are lined up.

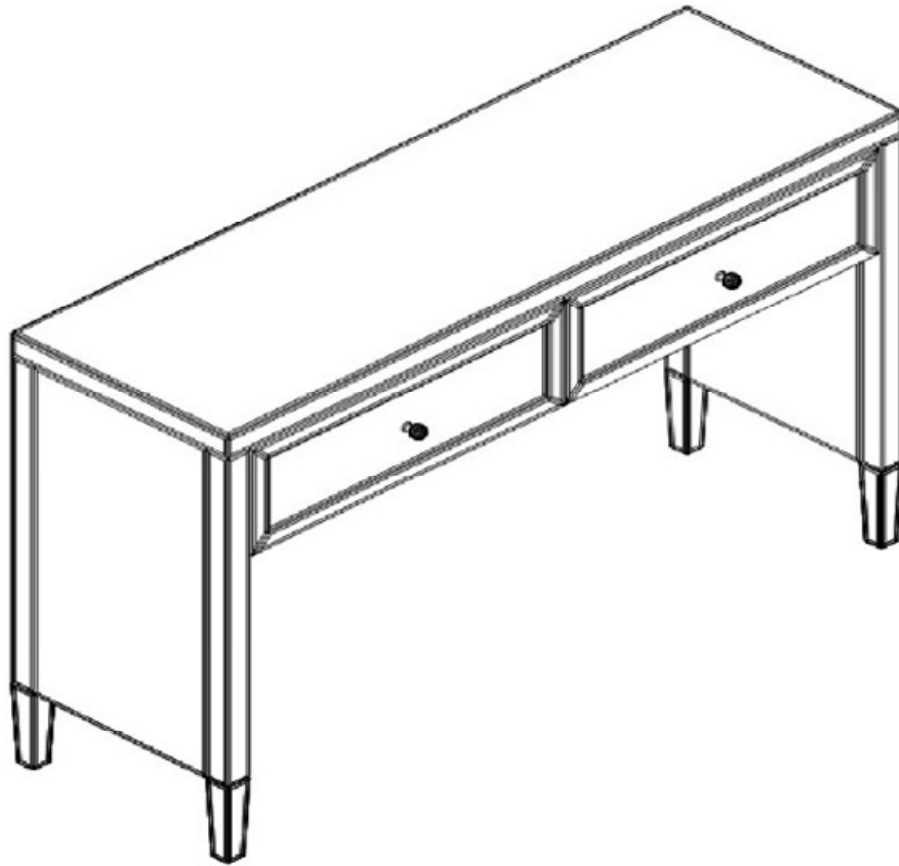


2. using Bolt (A), Spring washer (B), Washer (C), and tighten with Allen Key (D).



3. Product is assembled and ready for use.





Additional Information:

- For complete product information, images and dimension diagrams please visit the website www.birlea.com
- If you have any issues with your item please contact the retailer directly you purchased it from who will be able to resolve any issues with Birlea.
- Why don't you send us photos of your assembled furniture to info@birlea.com to be shared in our #birleahome feature on Instagram.