



Birlea

Suppliers of inspiration

Vendor: S000350



ASSEMBLY INSTRUCTIONS **URBAN LARGE FLOATING SHELF**

IMPORTANT : READ THESE INSTRUCTIONS CAREFULLY BEFORE ATTEMPTING TO ASSEMBLE OR USE YOUR URBAN LARGE FLOATING SHELF RUSTIC.

PLEASE KEEP THESE INSTRUCTIONS FOR FUTURE REFERENCE.

ASSEMBLY:

Assembly should be carried out with this item laying flat, not standing upright.

Assemble on a soft, clean surface to prevent damages.

To erase the numbers printed on the pieces, use the rubber into the accessories pack.

HEALTH & SAFETY:

DO NOT use this floating shelf if any parts are missing, damaged or worn.

DO NOT use this floating shelf unless all fixings are secured.

Always use on a level, even surface.

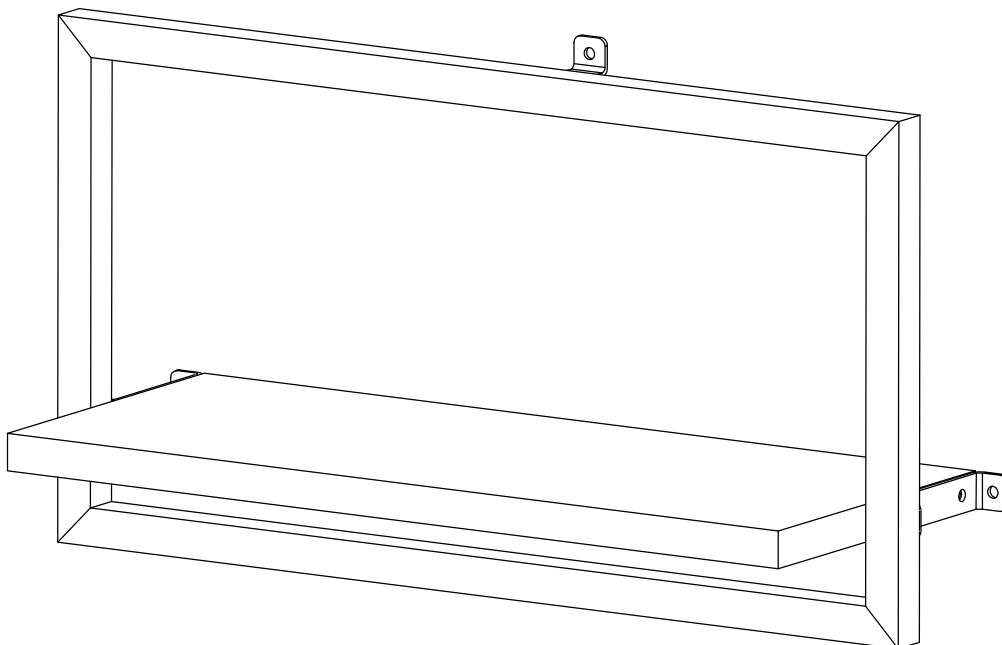
CARE & MAINTENANCE:

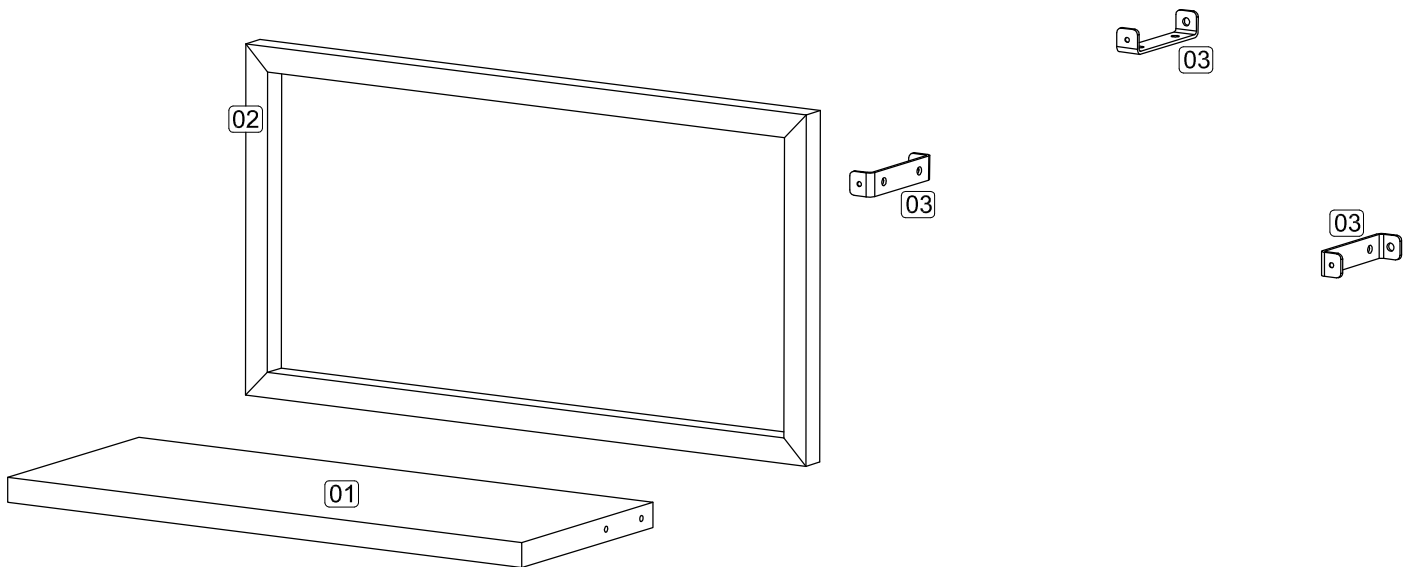
Periodically check all screws & fixings to ensure they are secure.

DO NOT push the floating shelf as this will cause damage.

Always lift the floating shelf with two people to repositions.

Keep any sharp objects away from the floating shelf.





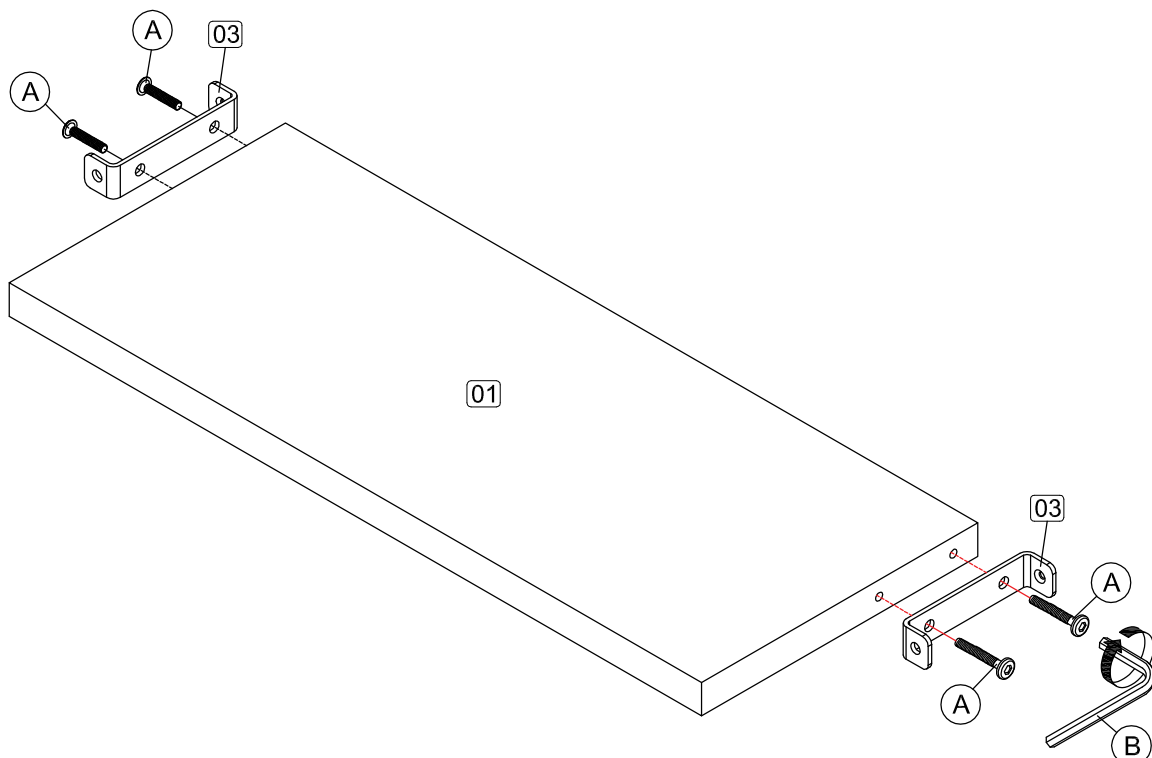
Parts List			Hardware List		
Part	Description	Qty	Part	Description	Qty
01	Middle panel	1	A	JCBC screw M6 x 25mm	7
02	Metal Frame	1	B	Allen key M4	1
03	Metal Support	3	C	M4 x 38mm C.B Screw	3
			D	Wall Plug	3

**** You will need a small mallet and a screwdriver for assembly.**

**** Some screws and wooden dowel may remain.**

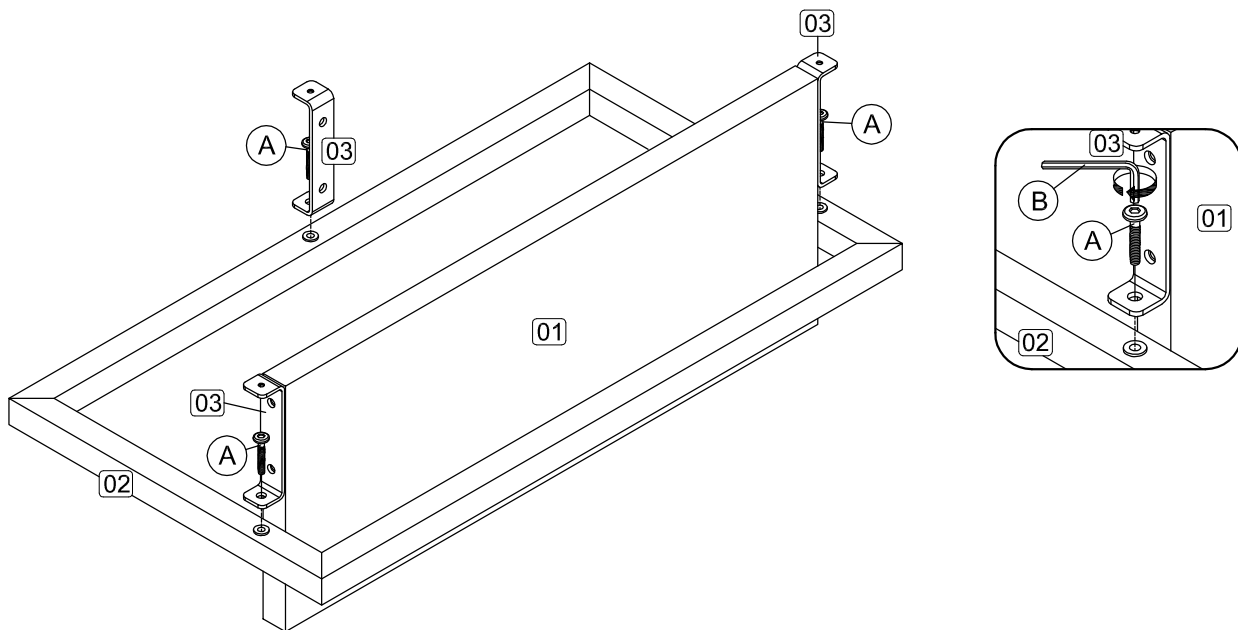
Step 1: Attach the panel (1) to Metal Support (3) using hardware A and B.

DO NOT use any power tools as this may damage the frame and will invalidate any claim.



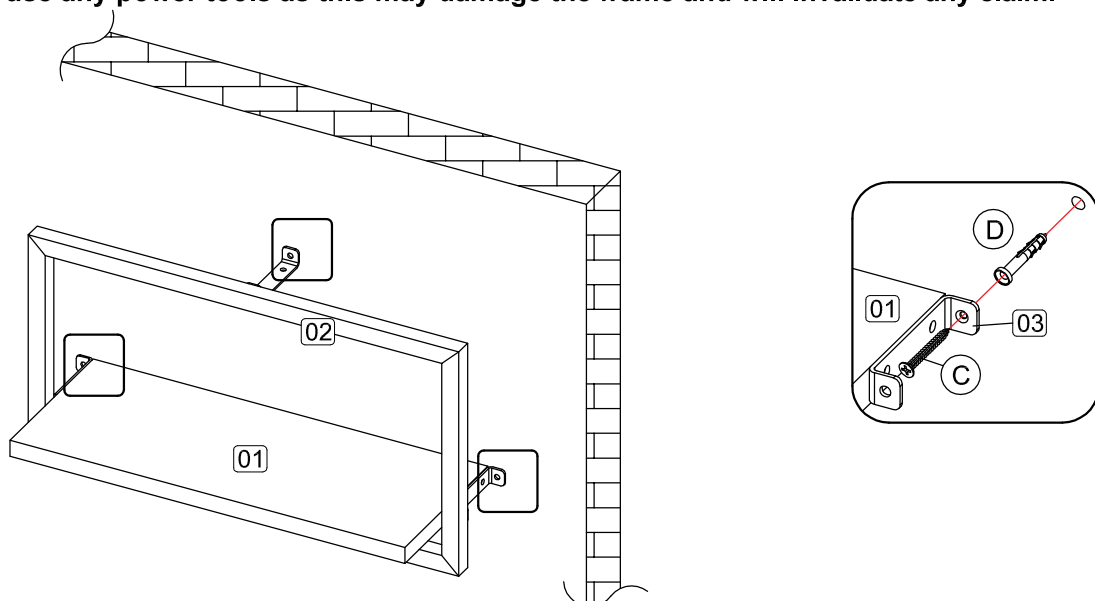
Step 2: Attach the Metal Support (3) to Metal Frame (2) using hardware A and B.

DO NOT use any power tools as this may damage the frame and will invalidate any claim.



Step 3: To secure the item to the wall use hardware C and D using a screwdriver (not provided).

DO NOT use any power tools as this may damage the frame and will invalidate any claim.



PLEASE NOTE that the fixing devices that provided is NOT suitable for all type wall material. Different wall materials required different fixing devices. You must use fixing devices which suitable for the type of wall you intend to mount product to.

Additional Information:

- For complete product information, images and dimension diagrams please visit the website www.birlea.com
- If you have any issues with your item please contact the retailer directly you purchased it from who will be able to resolve any issues with Birlea.
- Why don't you send us photos of your assembled furniture to info@birlea.com to be shared in our #birleahome feature on instagram.



Birlea

Suppliers of inspiration